

## MG100 SERIES



HEAD ROTATES 270°

6" Rigid Stem  
Replaceable Sensor

### FEATURES MG100/200

- \* COMPLETE MELT PRESSURE + Alarm SYSTEM
- \* Large 5-DIGIT DIGITAL Display (0.8"High)
- \* ALARM RELAY (NO/NC 240VAC, 5A)
- \* LED BAR GRAPHS  
Process & Set Value
- \* REPAIRABLE sensor
- \* 90-260VAC Power
- \* 6" Stem
- \* 30" Flex Hose (MG200)
- \* 1% combined error
- \* 750°F (400°C) Rating
- \* Ranges from  
0-500 to 0-20,000psi
- \* STANDARD DIAPHRAGM - INCONEL
- \* PROCESS VALUE RETRANSMISSION ( 4-20mA)
- \* ROTATEABLE DISPLAY (270°)
- \* STANDARD THREAD (1/2-20UNF)

## MG200 SERIES



6" Rigid Stem + 30" Flex  
Replaceable Sensor

### OPTIONS MG100/200

- \* RETRANSMISSION OPTIONS :  
0-5VDC    0-10VDC    0-20mA
- \* 12" STEM
- \* 60" Flex Hose (MG200)
- \* OPTIONAL DIAPHRAGMS  
Hastelloy Titanium Nitride Diamond-Particulate  
Extra Long Life TRIPLE WEAR TIP
- \* OPTIONAL THREADS (M18x1.5)
- \* MERCURY FREE
- \* OPTIONAL POWER 12-24VDC

## MGX SERIES



6" Rigid Stem + 30" Flex  
Thermocouple J  
Replaceable Sensors

### FEATURES MGX

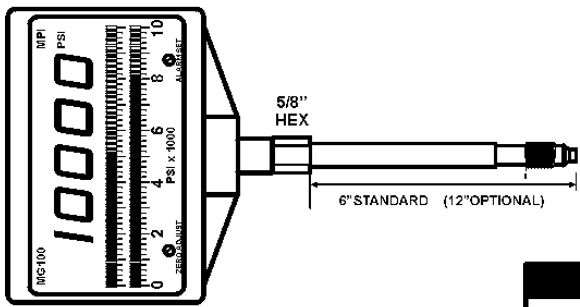
- \* same as MG200 Plus
- \* Thermocouple J  
Field replaceable

### OPTIONS MGX

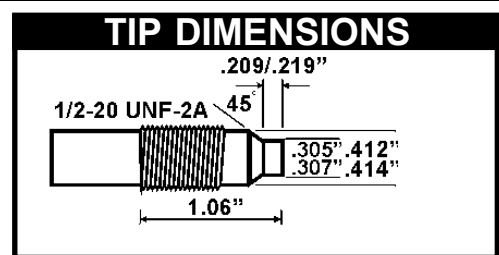
- \* same as MG200 Plus
- \* Temperature Sensors  
Thermocouple K  
Pt100 RTD sensor

# MELT PRESSURE

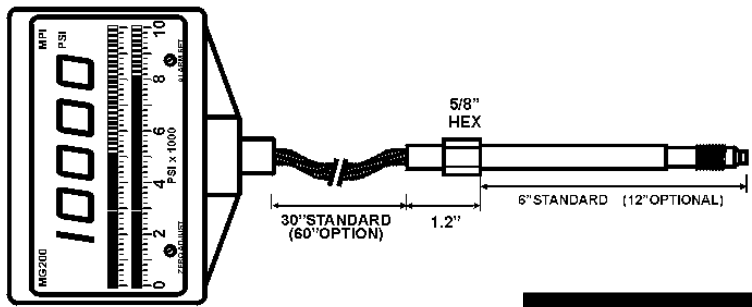
# ALARM GAUGES



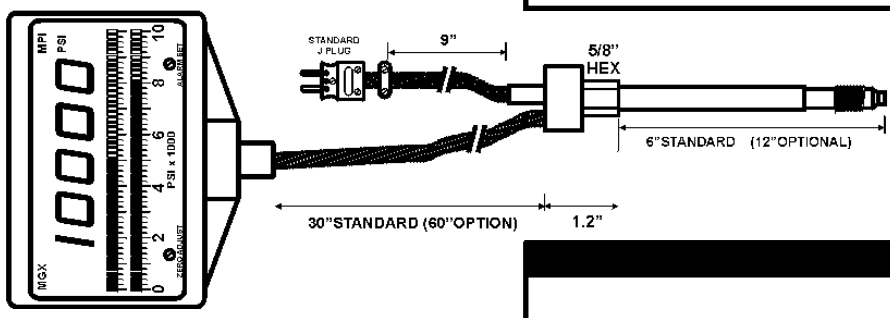
HEAD ROTATES 270°



MODEL CODE - MG100					
<b>MG1</b>	<b>X</b>	<b>P</b>	<b>XX</b>	<b>X</b>	<b>X</b>
00 - 6" Stem	5	M - Psi x 1000	S - 90 - 260VAC	<b>DIAPHRAGM</b>	<b>RETRANS</b>
10 - 12" Stem	10	B - BAR x 100	D - 10-32VDC	S - STANDARD INCONEL	M - 4-20mA
	20			H - HASTELLOY	1 - 0-20mA
				3 - TRIPLE WEAR TIP	5 - 0-5VDC
				D - DIAMOND PARTICULATE	10- 0-10VDC



MODEL CODE - MG200					



MODEL CODE - MGX					

## SPECIFICATIONS

MECHANICAL	TEMPERATURE EFFECTS	ELECTRICAL	
<b>RANGES</b> 0-500, 750, 1000, 1500, 3000, 5000, 7500, 10000, 15000, 20000psi	<b>MAXIMUM DIAPHRAGM TEMP</b> 750° F (400° C)	<b>MEASURING SENSOR</b> Wheatstone Bridge Strain Gauge	<b>OUTPUT 4-20mA, 2 WIRE</b>
<b>MAX ERROR</b> +/-1% Of Full Scale	<b>ZERO SHIFT of DIAPHRAGM</b> 15psi / 100° F	<b>ELEMENT RESISTANCE</b> +/-1% Of Full Scale	<b>OUTPUT 0-20mA</b>
<b>REPEATABILITY</b> +/-0.2% Of Full Scale	<b>MAXIMUM HOUSING TEMP</b> 750° F (400° C)	<b>INTERNAL SHUNT CALIBRATION</b> +/-0.2% Of Full Scale	<b>OUTPUT 0-5VDC</b>
<b>OVERLOAD CAPABILITY</b> 2x Full Scale	<b>ZERO SHIFT of ELECTRONICS</b> 1% / 100° F	<b>ZERO BALANCE</b> +/-5% FULL SCALE	<b>OUTPUT 0-10VDC</b>
<b>MOUNTING TORQUE</b> 150 inch-lbsMIN 500 inch-lbsMAX			