

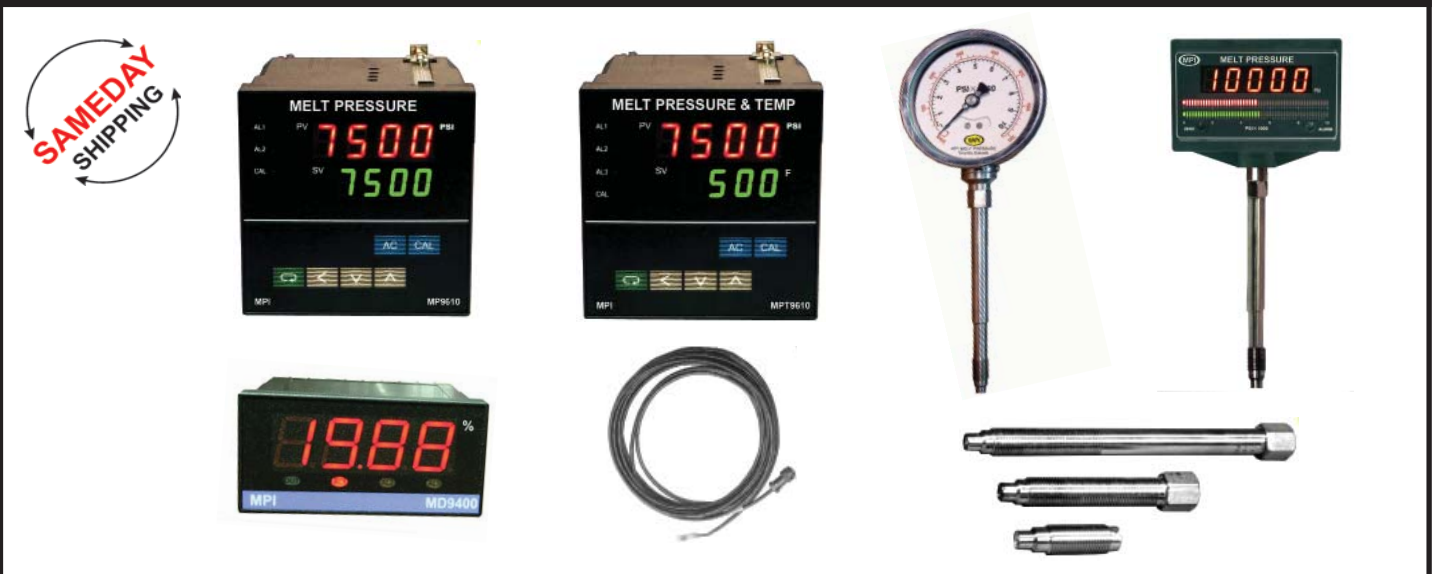


# MELT PRESSURE PRODUCTS

## TRANSDUCERS & TRANSMITTERS



## INDICATORS , GAUGES, RUPTURE DISKS



## TABLE of CONTENTS

### MELT PRESSURE

- MP STANDARD TRANSDUCERS. pg. 2
- MT STANDARD TRANSMITTERS. pg. 4
- MF MERCURY FREE.....pg. 6
- MR PUSHROD.....pg. 8
- MN NARROW SPACE..... pg.10
- MP1M COMPACT.....pg.12
- MG-IND LOCAL READOUT..... pg.13
- MP INDICATOR / ALARM.....pg.13
- MG DIGITAL GAUGES.....pg.15
- MPG MECHANICAL GAUGES..... pg.16

### INDUSTRIAL / HYDRAULIC PRESSURE

- MHP HYDRAULIC TRANSDUCER.....pg.17
- MHT HYDRAULIC TRANSMITTER..... pg.17
- MHP320 FLUSH MOUNT ..... pg.18
- MHT310 GENERAL INDUSTRIAL ..... pg.18
- RUPTURE DISKS..... pg.20
- TEMPERATURE & 4-20mA INDICATOR... pg.22
- CABLES..... pg.22
- ACCESSORIES..... pg.23
- HOLE CLEAN & DRILL KIT..... pg.23
- CONNECTORS, WIRING..... pg.24

## MP100 SERIES



### MP100 SERIES

The diaphragm transmits pressure through the fluid filled capillary for high temperature stability. Four active arm wheatstone bridge strain gage ensures high accuracy. The rigid stem makes installation fast and easy.

### FEATURES MP100/200

Fluid filled system  
 Standard 3.33mV/V  
 6pin Bayonet Connector  
 6" Stem  
 18" Flex Hose (MP200)  
 0.5% combined error  
 80% Output Calibration  
 Interchangeable with all Competitor's models  
 750°F (400°C) Rating  
 Ranges from  
 0-1000 to 0-30,000psi  
 Standard Inconel Diaphragm

## MP200 SERIES



### MP200 SERIES

SAME AS MP100 PLUS:

18" flexible capillary with stainless armour coating. This provides further thermal isolation and installation flexibility.

### OPTIONS MP100/200

OUTPUT OPTION  
 2.5mV/V  
 CONNECTOR OPTIONS  
 8pin 6pin-SCREW  
 12"STEM  
 30" Flex Hose (MP200)  
 OPTIONAL DIAPHRAGMS  
 Hastelloy  
 Titanium Nitride  
 Inconel Tip + Threads

## MPX SERIES



### MPX SERIES

SAME AS MP200 PLUS:

Temperature sensor mounted behind diaphragm. This provides temperature and pressure measurement from a single hole. The temperature sensor is field replaceable without removing pressure sensor.

### FEATURES MPX

same as MP200 Plus  
 Thermocouple J  
 Field replaceable

### OPTIONS MPX

same as MP200 Plus  
 Temperature Sensors  
 Thermocouple K  
 Pt100 RTD sensor

## SPECIFICATIONS

### MECHANICAL

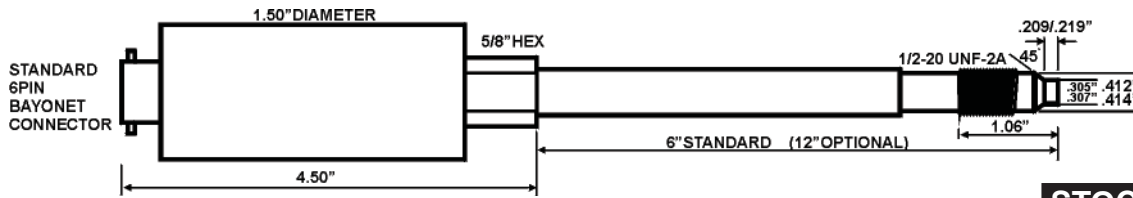
Ranges: 0-1000 to 0-30,000psi  
 Max Error: 0.5% of Full Scale  
 Repeatability: +/-0.2%  
 Overload Capab: 2x Full Scale  
 Mount Torque: 150in-500 in-lbs

### TEMPERATURE

Max Diaph. Temp: 750°F(400°C)  
 Zero Shift of Diaph.: 15psi/100°F  
 Zero Shift of Elect.: 1%/100°F  
 Max Housing Temp: 250°F(120°C)

### ELECTRICAL

Measuring Sensor: 350ohm Wheatstone Bridge  
 Internal Shunt Cal(2.5 or 3.3mV/V): 80% of FS  
 Excitation: 2.5 or 3mV/V(7-12V recommend10V)



## ORDER CODE

**MP1 X**      **X - PXX**      **X**      **X**      **X**      **X**

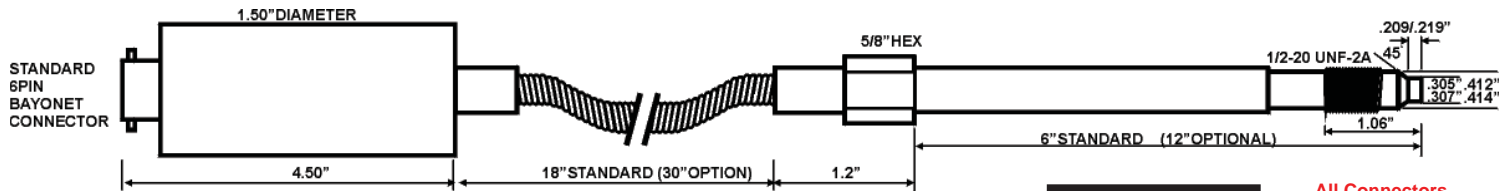
**0** - 6"stem      **1** - 3.3mV/V      **1**      **M** - Psi x 1000      **S** - 6pin Bayonet      **S** - Standard Inconel      -      - 1/2"-20UNF  
**8** - 8"stem      **2** - 2.5mV/V      **1.5**      **B** - Bar x 100      **G** - 6pin Screw      **C** - Chromium Nitride      **M18** - M18x1.5  
**9** - 9"stem      **3**      **P** - MPa      **8** - 8pin Screw      **T** - Titanium Nitride      **I** - Inconel Tip + Threads      **M10** - M10x1.0  
**1** - 12"stem      **5**                **H** - Hastelloy      **D** - Diamond Particulate  
                                  **7.5 15**  
                                  **10 20**

## STOCK LIST

All Connectors  
3.3mV/V, Inconel Tip

PSI	STEM
1000	6"
1500	6"
3000	6", 12"
5000	6", 9", 12"
7500	6", 12"
10,000	6", 9", 12"
15,000	6"
20,000	6"

# MP200 TRANSDUCER - RIGID STEM + FLEX



## ORDER CODE

**MP2 X**      **X - PXX**      **X**      **X**      **X**      **X**

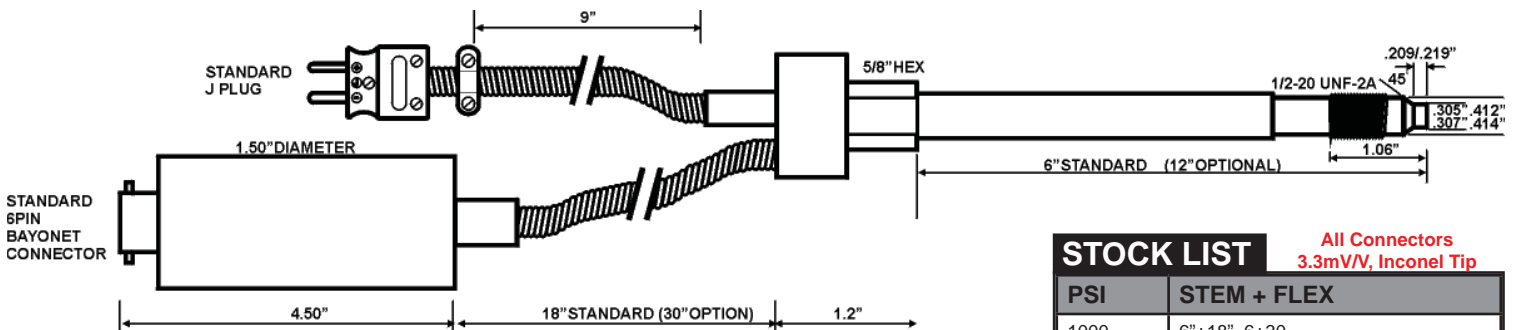
**0** - 6"stem+18"Flex      **1** - 3.3mV/V      **1**      **M** - Psi x 1000      **S** - 6pin Bayonet      **S** - Standard Inconel      -      - 1/2"-20UNF  
**1** - 12"stem+18"Flex      **2** - 2.5mV/V      **1.5**      **B** - Bar x 100      **G** - 6pin Screw      **C** - Chromium Nitride      **M18** - M18x1.5  
**3** - 6"stem+30"Flex      **3**      **P** - MPa      **8** - 8pin Screw      **T** - Titanium Nitride      **I** - Inconel Tip + Threads      **M10** - M10x1.0  
**4** - 12"stem+30"Flex      **5**                **H** - Hastelloy      **D** - Diamond Particulate  
**8** - 8"stem+18"Flex      **7.5 15**  
**9** - 9"stem+18"Flex      **10 20**

## STOCK LIST

All Connectors  
3.3mV/V, Inconel Tip

PSI	STEM + FLEX
1000	6"+18"
1500	6"+18", 12+18
3000	6"+18", 12+18
5000	6"+18", 9"+18, 12+18, 6+30, 12+30
7500	6"+18"
10,000	6"+18", 9"+18, 12+18, 6+30, 12+30
15,000	6"+18"
20,000	6"+18"

# MPX TRANSDUCER - PRESSURE + TEMPERATURE



## ORDER CODE

**MPX**      **X**      **X - PXX**      **X**      **X**      **X**      **X**

**J** - T/c J      **0** - 6"stem+18"Flex      **1** - 3.3mV/V      **1**      **M** - Psi x 1000      **S** - 6pin Bayonet      **S** - Standard Inconel      -      - 1/2"-20UNF  
**K** - T/c K      **1** - 12"stem+18"Flex      **2** - 2.5mV/V      **1.5**      **B** - Bar x 100      **G** - 6pin Screw      **C** - Chromium Nitride      **M18** - M18x1.5  
**P** - PT100      **3** - 6"stem+30"Flex      **3**      **P** - MPa      **8** - 8pin Screw      **T** - Titanium Nitride      **I** - Inconel Tip + Threads      **M10** - M10x1.0  
                                  **4** - 12"stem+30"Flex      **5**                **H** - Hastelloy      **D** - Diamond Particulate  
                                  **8** - 8"stem+18"Flex      **7.5 15**  
                                  **9** - 9"stem+18"Flex      **10 20**

## STOCK LIST

All Connectors  
3.3mV/V, Inconel Tip

PSI	STEM + FLEX
1000	6"+18", 6+30
1500	6"+18", 12+18, 6+30
3000	6"+18", 12+18, 12+30
5000	6"+18", 9"+18, 12+18, 6+30, 12+30
7500	6"+18"
10,000	6"+18", 9"+18, 12+18, 6+30, 12+30
15,000	6"+18"
20,000	6"+18"

## MT100 SERIES



### MT100 SERIES

The diaphragm transmits pressure through the fluid filled capillary for high temperature stability. Four active arm wheatstone bridge strain gage ensures high accuracy. The rigid stem makes installation fast and easy.

### FEATURES MT100/200

Fluid filled system  
**OUTPUT OPTIONS**  
 4-20mA  
 0-5VDC 0-10VDC  
 6pin Bayonet Connector  
 6" Stem  
 18" Flex Hose (MP200)  
 0.5% combined error  
 80% Output Calibration  
 Interchangeable with all Competitor's models  
 750°F (400°C) Rating  
 Ranges from  
 0-500 to 0-30,000psi  
 Standard Inconel Diaphragm

## MT200 SERIES



### MT200 SERIES

SAME AS MT100 PLUS:

18" flexible capillary with stainless armour coating. This provides further thermal isolation and installation flexibility.

### OPTIONS MT100/200

**CONNECTOR OPTIONS**  
 8pin 6pin-CANNON  
 12" STEM  
 30" Flex Hose (MP200)  
**OPTIONAL DIAPHRAGMS**  
 Titanium Nitride  
 Hastelloy  
 Inconel Tip + Thread

## MTX SERIES



### MTX SERIES

SAME AS MT200 PLUS:

Temperature sensor mounted behind diaphragm. This provides temperature and pressure measurement from a single hole. The temperature sensor is field replaceable without removing pressure sensor.

### FEATURES MTX

same as MP200 Plus  
 Thermocouple J  
 Field replaceable

### OPTIONS MTX

same as MP200 Plus  
 Temperature Sensors  
 Thermocouple K  
 Pt100 RTD sensor

## SPECIFICATIONS

### MECHANICAL

**Ranges:** 0-500 to 0-30,000psi  
**Max Error:** 0.5% of Full Scale  
**Repeatability:** +/-0.2%  
**Overload Capab:** 2x Full Scale  
**Mount Torque:** 150in-500 in-lbs

### TEMPERATURE

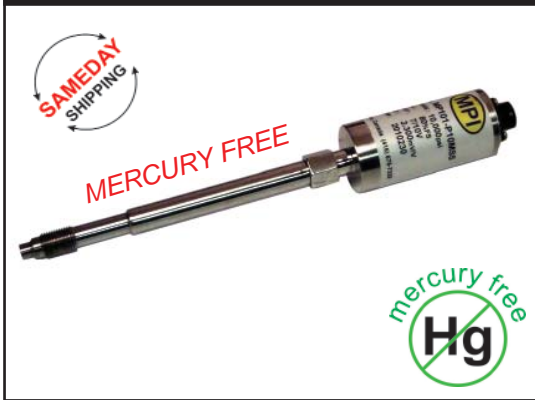
**Max Diaph. Temp:** 750°F(400°C)  
**Zero Shift of Diaph.:** 15psi/100°F  
**Zero Shift of Elect.:** 1%/100°F  
**Max Housing Temp:** 250°F(120°C)

### ELECTRICAL

**Measuring Sensor:** 350ohm Wheatstone Bridge  
**Zero&Span Adjust(0-5/10V or 4-20mA):** +/-0.15% FS  
**Excitation:** 0-10V(14-36V) 0-5V(11-36V)  
 4-20mA(14-36V)



**MF100 SERIES**



**MF100 SERIES**

The diaphragm transmits pressure through the fluid filled capillary for high temperature stability. Four active arm wheatstone bridge strain gage ensures high accuracy. The rigid stem makes installation fast and easy.

**FEATURES MF100/200**

**MERCURY FREE FILL**  
 Standard 3.33mV/V  
 6pin Bayonet Connector  
 6" Stem  
 18" Flex Hose (MP200)  
 0.5% combined error  
 80% Output Calibration  
 Interchangeable with all Competitor's models  
 750°F (400°C) Rating  
 Ranges from  
 0-500 to 0-30,000psi  
 Standard Inconel Diaphragm

**MF200 SERIES**



**MF200 SERIES**

SAME AS MF100 PLUS:

18" flexible capillary with stainless armour coating. This provides further thermal isolation and installation flexibility.

**OPTIONS MF100/200**

**OUTPUT OPTIONS**  
 2.5mV/V 4-20mA  
 0-5VDC 0-10VDC  
**CONNECTOR OPTIONS**  
 8pin 6pin-CANNON  
 12" STEM  
 30" Flex Hose (MP200)  
**OPTIONAL DIAPHRAGMS**  
 Hastelloy  
 Titanium Nitride  
 Inconel Tip + Thread

**MFX SERIES**



**MFX SERIES**

SAME AS MF200 PLUS:

Temperature sensor mounted behind diaphragm. This provides temperature and pressure measurement from a single hole. The temperature sensor is field replaceable without removing pressure sensor.

**FEATURES MFX**

same as MP200 Plus  
 Thermocouple J  
 Field replaceable

**OPTIONS MFX**

same as MF200 Plus  
 Temperature Sensors  
 Thermocouple K  
 Pt100 RTD sensor

**SPECIFICATIONS**

**MECHANICAL**

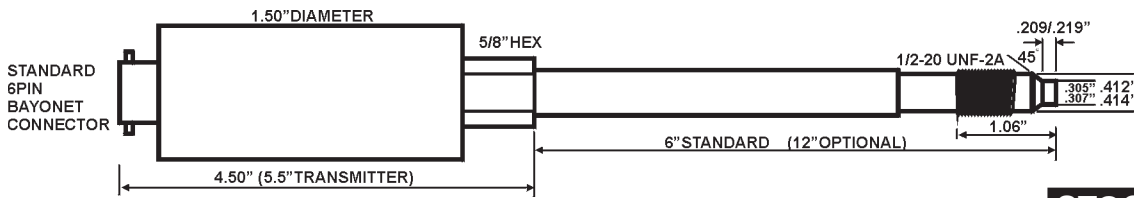
**Ranges:** 0-1000 to 0-30,000psi  
**Max Error:** 0.5% of Full Scale  
**Repeatability:** +/-0.2%  
**Overload Capab:** 2x Full Scale  
**Mount Torque:** 150in-500 in-lbs

**TEMPERATURE**

**Max Diaph. Temp:** 750°F(400°C)  
**Zero Shift of Diaph.:** 18psi/100°F  
**Zero Shift of Elect.:** 1%/100°F  
**Max Housing Temp:** 250°F(120°C)

**ELECTRICAL**

**Measuring Sensor:** 350ohm Wheatstone Bridge  
**Internal Shunt Cal(2.5 or 3.3mV/V):** 80% of FS  
**Zero&Span Adjust(0-5/10V or 4-20mA):** +/-0.15% FS  
**Excitation:** 2.5 or 3mV/V(7-12V recommend10V)  
 0-10V(14-36V) 0-5V(11-36V)  
 4-20mA(14-36V)



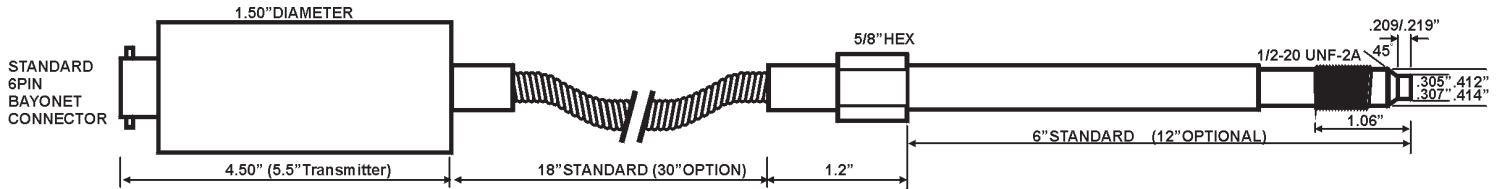
## ORDER CODE

**MF1 X**      **X - P XX**      **X**      **X**      **X**      **X**

0 - 6"stem    1 - 3.3mV/V    1    **M** - Psi x 1000    **S** - 6pin Bayonet    **S** - Standard Inconel  
 8 - 8"stem    2 - 2.5mV/V    1.5    **B** - Bar x 100    **G** - 6pin Screw    **C** - Chromium Nitride  
 9 - 9"stem    4 - 4-20mA    3    **P** - MPa    **8** - 8pin Screw    **T** - Titanium Nitride  
 1 - 12"stem    5 - 0-5VDC    5       **4** - 4pin DIN    **I** - Inconel Tip + Threads    **M18** - M18x1.5  
                   6 - 1-5VDC    7.5 15             **H** - Hastelloy    **M10** - M10x1.0  
                   7 - 0-10VDC    10 20             **D** - Diamond Particulate    **.25** - 0.25% Accuracy

STOCK LIST		Inconel Tip All Outputs & Connectors
PSI	STEM	
1500	6"	
3000	6"	
5000	6", 12"	
7500	6"	
10,000	6", 12"	
15,000	6"	
20,000	6"	

# MF200 MERCURY FREE - RIGID STEM + FLEX



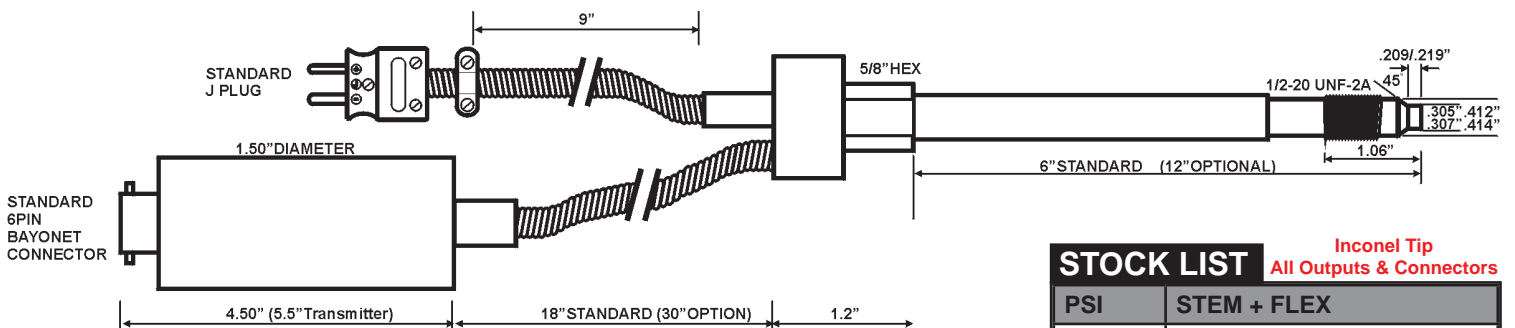
## ORDER CODE

**MF2 X**      **X - P XX**      **X**      **X**      **X**      **X**

0 - 6"stem+18"Flex    1 - 3.3mV/V    1    **M** - Psi x 1000    **S** - 6pin Bayonet    **S** - Standard Inconel  
 1 - 12"stem+18"Flex    2 - 2.5mV/V    1.5    **B** - Bar x 100    **G** - 6pin Screw    **C** - Chromium Nitride  
 3 - 6"stem+30"Flex    4 - 4-20mA    3    **P** - MPa    **8** - 8pin Screw    **T** - Titanium Nitride  
 4 - 12"stem+30"Flex    5 - 0-5VDC    5       **4** - 4pin DIN    **I** - Inconel Tip + Threads    **M18** - M18x1.5  
 8 - 8"stem+18"Flex    6 - 1-5VDC    7.5 15          **H** - Hastelloy    **M10** - M10x1.0  
 9 - 9"stem+18"Flex    7 - 0-10VDC    10 20          **D** - Diamond Particulate    **.25** - 0.25% Accuracy

STOCK LIST		Inconel Tip All Outputs & Connectors
PSI	STEM + FLEX	
1500	6"+18"	
3000	6"+18"	
5000	6"+18", 6+30, 12+18	
7500	6"+18"	
10,000	6"+18", 6+30, 12+18	
15,000	6"+18"	
20,000	6"+18"	

# MFX MERCURY FREE - PRESSURE + TEMPERATURE



## ORDER CODE

**MF X**      **X - P XX**      **X**      **X**      **X**      **X**

**J** - T/c J    0 - 6"stem+18"Flex    1 - 3.3mV/V    1    **M** - Psi x 1000    **S** - 6pin Bayonet    **S** - Standard Inconel  
**K** - T/c K    1 - 12"stem+18"Flex    2 - 2.5mV/V    1.5    **B** - Bar x 100    **G** - 6pin Screw    **C** - Chromium Nitride  
**P** - PT100    3 - 6"stem+30"Flex    4 - 4-20mA    3    **P** - MPa    **8** - 8pin Screw    **T** - Titanium Nitride  
                   4 - 12"stem+30"Flex    5 - 0-5VDC    5       **4** - 4pin DIN    **I** - Inconel Tip + Threads    **M18** - M18x1.5  
                   8 - 8"stem+18"Flex    6 - 1-5VDC    7.5 15          **H** - Hastelloy    **M10** - M10x1.0  
                   9 - 9"stem+18"Flex    7 - 0-10VDC    10 20          **D** - Diamond Particulate    **.25** - 0.25% Accuracy

STOCK LIST		Inconel Tip All Outputs & Connectors
PSI	STEM + FLEX	
1500	6"+18"	
3000	6"+18"	
5000	6"+18", 6+30, 12+18	
7500	6"+18"	
10,000	6"+18", 6+30, 12+18	
15,000	6"+18"	
20,000	6"+18"	

**MR100 SERIES**



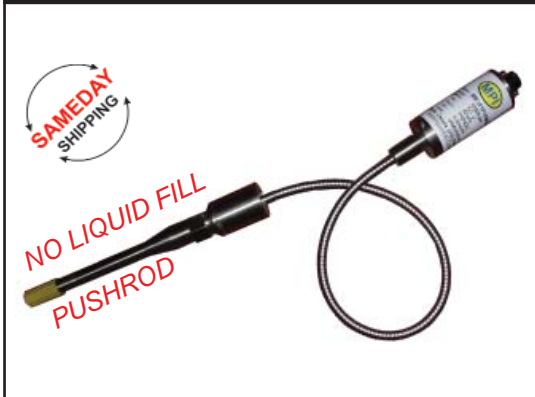
**MR100 SERIES**

The diaphragm transmits pressure through the PUSHROD. The electronic temperature compensation circuit ensures high temperature stable pressure readings. Four active arm wheatstone bridge strain gage ensures high accuracy. The rigid stem makes installation fast and easy.

**FEATURES MR100/200**

- NO LIQUID FILL
- Standard 3.33mV/V
- 6pin Bayonet Connector
- 6" Stem
- 18" Flex Hose (MR200)
- 1% combined error
- 80% Output Calibration
- Interchangeable with all Competitor's models
- 1000°F (540°C) Rating
- Ranges from 0-5000 to 0-10,000psi
- Standard Inconel Diaphragm

**MR200 SERIES**



**MR200 SERIES**

SAME AS MR100 plus:

18" flexible capillary with stainless armour coating. This provides further thermal isolation and installation flexibility

The transition from rigid stem to flexible capillary must be maintained below 247°F (120°C).

**OPTIONS MR100/200**

- OUTPUT OPTIONS
  - 2.5mV/V 4-20mA
  - 0-5VDC 0-10VDC
- CONNECTOR OPTIONS
  - 8pin 6pin-CANNON
- 12" STEM
- 30" Flex Hose (MR200)
- OPTIONAL DIAPHRAGMS
  - Hastelloy
  - Titanium Nitride
  - Inconel Tip + Threads

**MRX SERIES**



**MRX SERIES**

SAME AS MR200 plus:

Temperature sensor mounted behind diaphragm. This provides temperature and pressure measurement from a single hole.

The temperature sensor is field replaceable without removing pressure sensor.

**FEATURES MRX**

- same as MR200 Plus
- Thermocouple J
- Field replaceable

**OPTIONS MRX**

- same as MR200 Plus
- Temperature Sensors
- Thermocouple K
- Pt100 RTD sensor

**SPECIFICATIONS**

**MECHANICAL**

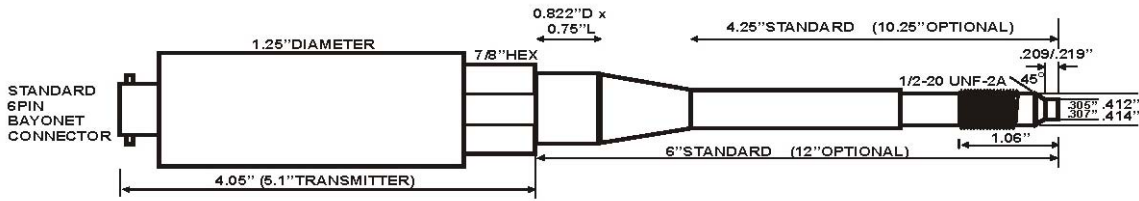
- Ranges: 0-5000 to 0-10,000psi
- Max Error: 1% of Full Scale
- Repeatability: +/-0.2%
- Overload Capab: 2x Full Scale
- Mount Torque: 150in-500 in-lbs

**TEMPERATURE**

- Max Diaph. Temp: 1000°F(550°C)
- Zero Shift of Diaph.: 15psi/100°F
- Zero Shift of Elect.: 1%/100°F
- Max Housing Temp: 250°F(120°C)

**ELECTRICAL**

- Measuring Sensor: 350ohm Wheatstone Bridge
- Internal Shunt Cal(2.5 or 3.3mV/V): 80% of FS
- Zero&Span Adjust(0-5/10V or 4-20mA): +/-0.15% FS
- Excitation: 2.5 or 3mV/V(7-12V recommend10V)
- 0-10V(14-36V) 0-5V(11-36V)
- 4-20mA(14-36V)



## ORDER CODE

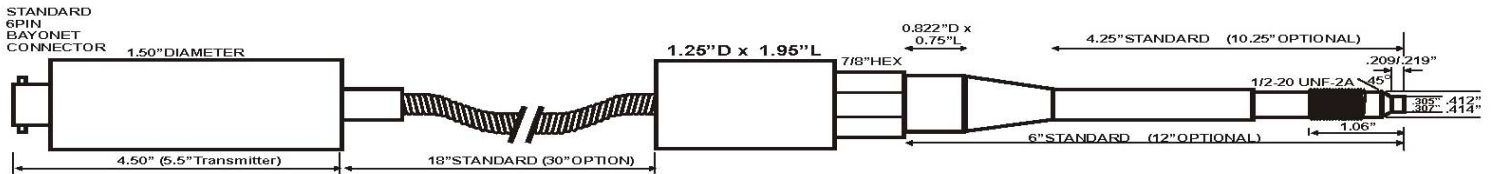
**MR1 X**      **X - P XX**      **X**      **X**      **X**      **X**

0 - 6"stem    1 - 3.3mV/V    5    **M** - Psi x 1000    **S** - 6pin Bayonet    **S** - Standard Inconel    -    - 1/2"-20UNF  
 8 - 8"stem    2 - 2.5mV/V    10    **B** - Bar x 100    **G** - 6pin Screw    **C** - Chromium Nitride    **M18** - M18x1.5  
 9 - 9"stem    4 - 4-20mA       **P** - MPa    **8** - 8pin Screw    **T** - Titanium Nitride    **M10** - M10x1.0  
 1 - 12"stem    5 - 0-5VDC                **I** - Inconel Tip + Threads    **.25** - 0.25% Accuracy  
                   6 - 1-5VDC                **H** - Hastelloy  
                   7 - 0-10VDC                **D** - Diamond Particulate

## STOCK LIST

PSI	STEM
5000	6"
10,000	6"

# MR200 PUSHROD - RIGID STEM + FLEX



## ORDER CODE

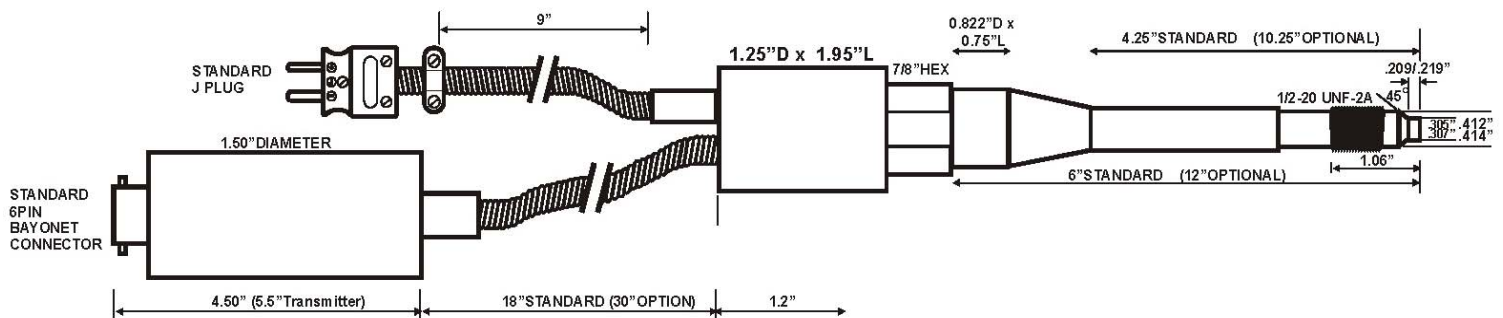
**MR2 X**      **X - P XX**      **X**      **X**      **X**      **X**

0 - 6"stem+18"Flex    1 - 3.3mV/V    5    **M** - Psi x 1000    **S** - 6pin Bayonet    **S** - Standard Inconel    -    - 1/2"-20UNF  
 1 - 12"stem+18"Flex    2 - 2.5mV/V    10    **B** - Bar x 100    **G** - 6pin Screw    **C** - Chromium Nitride    **M18** - M18x1.5  
 3 - 6"stem+30"Flex    4 - 4-20mA       **P** - MPa    **8** - 8pin Screw    **T** - Titanium Nitride    **M10** - M10x1.0  
 4 - 12"stem+30"Flex    5 - 0-5VDC                **I** - Inconel Tip + Threads    **.25** - 0.25% Accuracy  
 8 - 8"stem+18"Flex    6 - 1-5VDC                **H** - Hastelloy  
 9 - 9"stem+18"Flex    7 - 0-10VDC                **D** - Diamond Particulate

## STOCK LIST

PSI	STEM + FLEX
5000	6"+18"
10,000	6"+18"

# MRX PUSHROD - PRESSURE + TEMPERATURE



## ORDER CODE

**MR X**      **X**      **X - P XX**      **X**      **X**      **X**      **X**

**J** - T/c J    0 - 6"stem+18"Flex    1 - 3.3mV/V    5    **M** - Psi x 1000    **S** - 6pin Bayonet    **S** - Standard Inconel    -    - 1/2"-20UNF  
**K** - T/c K    1 - 12"stem+18"Flex    2 - 2.5mV/V    10    **B** - Bar x 100    **G** - 6pin Screw    **C** - Chromium Nitride    **M18** - M18x1.5  
**P** - PT100    3 - 6"stem+30"Flex    4 - 4-20mA       **P** - MPa    **8** - 8pin Screw    **T** - Titanium Nitride    **M10** - M10x1.0  
                   4 - 12"stem+30"Flex    5 - 0-5VDC                **I** - Inconel Tip + Threads    **.25** - 0.25% Accuracy  
                   8 - 8"stem+18"Flex    6 - 1-5VDC                **H** - Hastelloy  
                   9 - 9"stem+18"Flex    7 - 0-10VDC                **D** - Diamond Particulate

## STOCK LIST

PSI	STEM + FLEX
5000	6"+18"
10,000	6"+18"

## MN100 SERIES



### MN100 SERIES

28"flexible capillary with stainless armour coating. This provides thermal isolation and installation flexibility in space restricted areas.

### FEATURES MN100

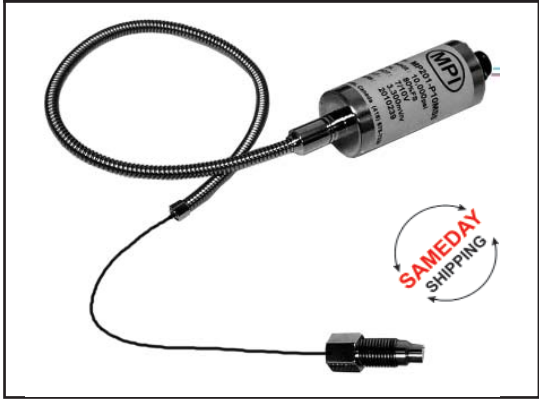
- Fluid filled system
- Standard 3.33mV/V
- 6pin Bayonet Connector
- 28"Flex Hose
- 0.5% combined error
- 80% Output Calibration
- Interchangeable with all Competitor's models
- 750°F (400°C) Rating
- Ranges from 0-500 to 0-30,000psi
- INCONEL Diaphragm

### OPTIONS MN100

- OUTPUT OPTIONS**
- 2.5mV/V 4-20mA
- 0-5VDC 0-10VDC
- CONNECTOR OPTIONS**
- 8pin 6pin-CANNON
- DIAPHRAGM OPTIONS**
- Hastelloy
- Diamond Particulate
- Titanium Nitride
- FILL OPTIONS**
- Merc Free (750°F)
- NaK (1000°F)



## MN200 SERIES



### MN200 SERIES

10" Bare Capillary + 18"flexible capillary with stainless armour coating. This provides thermal isolation and installation flexibility in space restricted areas.

### FEATURES MN200

- Fluid filled system
- Standard 3.33mV/V
- 6pin Bayonet Connector
- 10" 0.06"Dia Capillary
- 18"Flex Hose
- 0.5% combined error
- 80% Output Calibration
- Interchangeable with all Competitor's models
- 750°F (400°C) Rating
- Ranges from 0-500 to 0-30,000psi
- INCONEL Diaphragm

### OPTIONS MN200

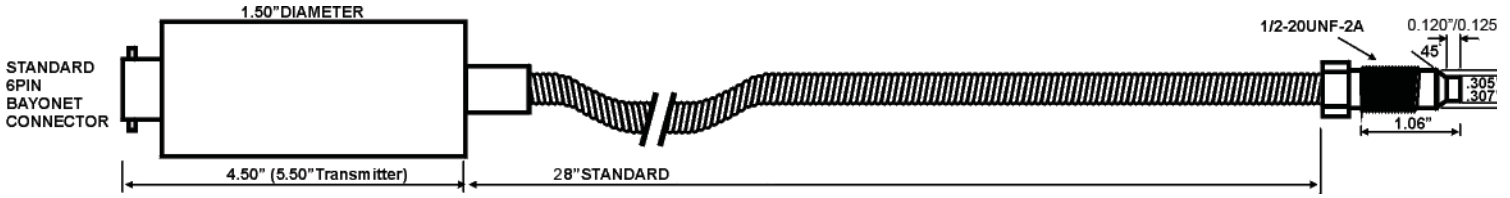
- OUTPUT OPTIONS**
- 2.5mV/V 4-20mA
- 0-5VDC 0-10VDC
- CONNECTOR OPTIONS**
- 8pin 6pin-CANNON
- DIAPHRAGM OPTIONS**
- Hastelloy
- Diamond Particulate
- Titanium Nitride
- FILL OPTIONS**
- Merc Free (750°F)
- NaK (1000°F)



## SPECIFICATIONS

<u>MECHANICAL</u>	<u>TEMPERATURE</u>	<u>ELECTRICAL</u>
Ranges(mV/V): 0-1000 to 0-30,000psi	Max Diaph. Temp: 750°F(400°C)	Measuring Sensor: 350ohm Wheatstone Bridge
Ranges(mA or V):0-500 to 0-30,000psi	Zero Shift of Diaph.: 15psi/100°F	Internal Shunt Cal(2.5 or 3.3mV/V): 80% of FS
Max Error: 0.5% of Full Scale	Zero Shift of Elect.: 1%/100°F	Zero&Span Adjust(0-5/10V or 4-20mA): +/-0.15% FS
Repeatability: +/-0.2%	Max Housing Temp: 250°F(120°C)	Excitation: 2.5 or 3mV/V(7-12V recommend10V)
Overload Capab: 2x Full Scale		0-10V(14-36V) 0-5V(11-36V)
Mount Torque: 150in-500 in-lbs		4-20mA(14-36V)

**MN100 - TRANSDUCERS / TRANSMITTERS - NARROW SPACE**



**ORDER CODE**

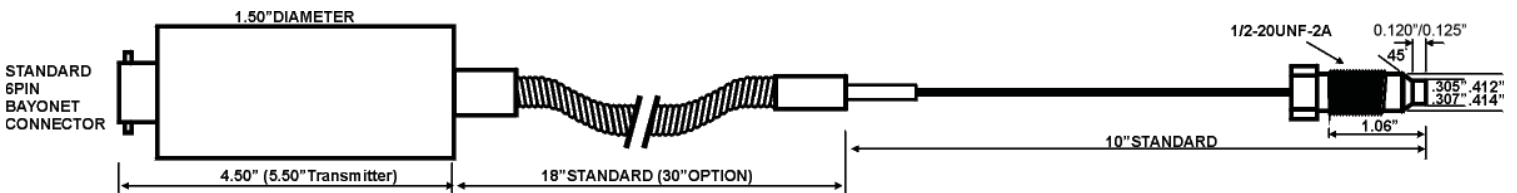
- MN1 X**  
 0 - 28"flex  
 1 - 60"flex
- X - PXX**  
 1 - 3.3mV/V  
 2 - 2.5mV/V  
 4 - 4-20mA  
 5 - 0-5VDC  
 6 - 1-5VDC  
 7 - 0-10VDC
- X**  
 1  
 1.5  
 3  
 5  
 7.5 15  
 10 20
- X**  
 M - Psi x 1000  
 B - Bar x 100  
 P - MPa
- X**  
 S - 6pin Bayonet  
 G - 6pin Screw  
 8 - 8pin Screw
- X**  
 S - Standard Inconel  
 C - Chromium Nitride  
 T - Titanium Nitride  
 I - Inconel Tip + Threads  
 H - Hastelloy  
 D - Diamond Particulate
- X**  
 - - 1/2"-20UNF  
 M18 - M18x1.5  
 M10 - M10x1.0  
 .25 - 0.25% Accuracy  
 F - Mercury Free

**STOCK LIST**

Inconel Tip  
 All Outputs & Connectors

PSI	FLEX ARMOUR
5000	28"
10,00	28"
20,000	28"
30,000	28"

**MN200 - TRANSDUCERS / TRANSMITTERS - NARROW SPACE**



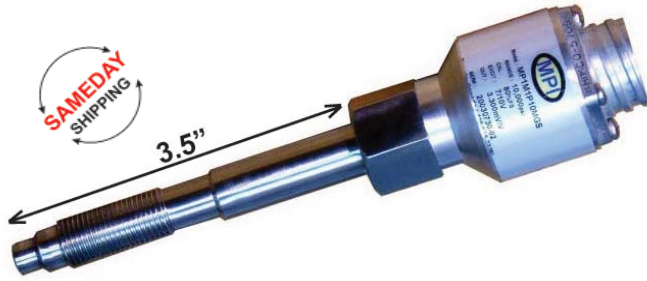
**ORDER CODE**

- MN2 X**  
 0 - 10"cap+18"Flex  
 3 - 10"cap+30"Flex
- X - PXX**  
 1 - 3.3mV/V  
 2 - 2.5mV/V  
 4 - 4-20mA  
 5 - 0-5VDC  
 6 - 1-5VDC  
 7 - 0-10VDC
- X**  
 1  
 1.5  
 3  
 5  
 7.5 15  
 10 20
- X**  
 M - Psi x 1000  
 B - Bar x 100  
 P - MPa
- X**  
 S - 6pin Bayonet  
 G - 6pin Screw  
 8 - 8pin Screw
- X**  
 S - Standard Inconel  
 C - Chromium Nitride  
 T - Titanium Nitride  
 I - Inconel Tip + Threads  
 H - Hastelloy  
 D - Diamond Particulate
- X**  
 - - 1/2"-20UNF  
 M18 - M18x1.5  
 M10 - M10x1.0  
 .25 - 0.25% Accuracy  
 F - Mercury Free

**STOCK LIST**

Inconel Tip  
 All Outputs & Connectors

PSI	CAPILLARY + HOSE
5,000	10"+18"
10,000	10"+18"
20,000	10"+18"
30,000	10"+18"



## STANDARD FEATURES

350ohm STRAIN GAUGE - 3.3mV/V  
 80%OUTPUT CAL  
 INTERCHANGEABLE WITH  
 COMPETITORS MODELS  
 0-1000psi + 0-30,000psi RANGES  
 0.5%ACCURACY  
 6pin BAYONET CONNECTOR  
 750°F(400°C) MERCURY FILL

## STOCK LIST

PSI	STEM
5,000	3.5"
10,000	3.5"

INCONEL TIP

### OPTIONS

CONNECTOR - 6pin or 8pin Screw  
 750°F(400°C) MERCURY FREE FILL

## ORDER CODE

**MP1M X - P XX X X X X X**

**1** - 3.3mV/V    **1**    **M** - Psi x 1000    **S** - 6pin Bayonet    **S** - Standard Inconel    - - Standard  
**2** - 2.5mV/V    **1.5**    **B** - Bar x 100    **G** - 6pin Screw    **C** - Chromium Nitride    **F** - Mercury Free  
                   **3**    **P** - MPa            **8** - 8pin Screw    **T** - Titanium Nitride  
                   **5**  
                   **7.5** **15**  
                   **10** **20**  
                   **I** - Inconel Tip + Threads  
                   **H** - Hastelloy  
                   **D** - Diamond Particulate



## SPECIFICATIONS - MP1M

### MECHANICAL

**Ranges:** 0-1000 to 0-30,000psi  
**Max Error:** 0.5% of Full Scale  
**Repeatability:** +/-0.2%  
**Overload Capab:** 2x Full Scale  
**Mount Torque:** 150in-500 in-lbs

### TEMPERATURE

**Max Diaph. Temp:** 750°F(400°C)  
**Zero Shift of Diaph.:** 15psi/100°F  
**Zero Shift of Elect.:** 1%/100°F  
**Max Housing Temp:** 250°F(120°C)

### ELECTRICAL

**Measuring Sensor:** 350ohm Wheatstone Bridge  
**Element Resistance:** +/-1% of Full Scale  
**Internal Shunt Cal:** +/-0.2%  
**Zero Balance:** +/-0.5% of Full Scale  
**Excitation:** 7-12VDC (recommend 10VDC)

## PRESSURE INDICATORS

### MT-IND - 4-20mA LOOP



**MT-IND**



**Mounted on Transmitters**

### STANDARD

0.28" LARGE 4DIGIT DISPLAY  
 INPUT 4-20mA  
 PROGRAMMABLE SCALING  
 POWER - 4-20mA LOOP POWER  
 REVERSE POLARITY PROTECTION-  
 4PIN CONNECTOR  
 IP65 (after mounting on transmitter)

## SPECIFICATIONS - MT-IND

### DISPLAY

**TYPE** : 4 DIGIT LED (0.28"H)  
**RANGE** : -1.9.9.9. to 9.9.9.9  
**ACCURACY** : 0.1%+/-1 Digit  
**DIGITAL**  
**DAMPING** : 0 - 20s

### ELECTRICAL

**SUPPLY** : 4-20mA LOOP  
**VOLT DROP** : <2.5V  
**PROTECTION** : SHORT CIRCUIT  
**REVERSE**  
**POLARITY** : MAX 200mA

### ENVIRONMENT

**OPERATING TEMP** : -20 to 70C  
**STORAGE TEMP** : -30 to 85C  
**PROTECTION** : IP65 (connected)  
**WEIGHT** : 80g  
**HOUSING** : BLACK



## STANDARD FEATURES

INPUT - 350ohm STRAIN GAUGE  
 0.8" HIGH 5-DIGIT DISPLAY  
 LED BAR GRAPHS - Process+Set Value  
 0-5000psi + 0-10,000psi RANGES  
 ALARM - High or Low (NO/NC 240V,5A)  
 POWER - 90-260VAC  
 1% ACCURACY, MANUAL ZERO  
 PROCESS VALUE RETRANS - 4-20mA  
 60" FLEX HOSE, 6pin BAYONET CONNECT.

## OPTIONS

RETRANSMISSION OPTIONS :  
 0-5, 0-10VDC or 0-20mA  
 POWER - 12-24VDC  
 CONNECTOR - 6pin Screw  
 8pin Screw

## ORDER CODE

**MG-IND - P - Scale - PV Retrans - Cable Length - Connector**

<b>5M</b> - 5,000psi	<b>M</b> - 4-20mA	<b>6</b> - 6ft (2m)	<b>6B</b> - 6pin Bayonet
<b>10M</b> - 10,000psi	<b>0</b> - 0-10mA	<b>12</b> - 12ft (3.7m)	<b>6S</b> - 6pin Screw
Custom	<b>1</b> - 0-20mA	<b>25</b> - 25ft (7.7m)	<b>8S</b> - 8pin Screw
	<b>5</b> - 0-5VDC		
	<b>6</b> - 0-6VDC		
	<b>10</b> - 0-10VDC		

## SPECIFICATIONS - MG-IND

### INPUT - PRESSURE TRANSDUCER

350ohm STRAIN GAUGE - 3.33mV/V  
 EXCITATION VOLTAGE - 10VDC  
 ACCURACY - 1%

### RETRANS of PROCESS VALUE

CURRENT - 4-20mA, 0-10mA, 0-20mA  
 VOLTAGE - 0-5, 1-5, 0-10VDC

### ALARM OUTPUT

Alarms 3A/240VAC resistive.

### POWER

Standard 85-265VAC 50/60Hz 10VA  
 Option 24V AC/DC

### ENVIRONMENTAL

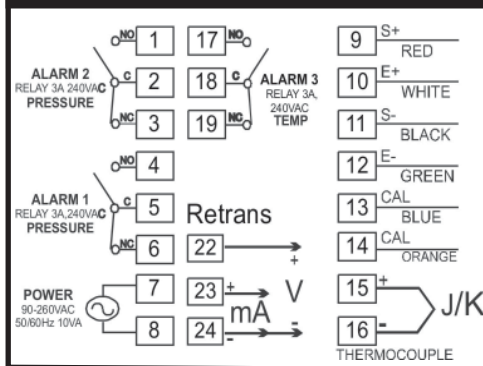
Temp&Humid. 10-55degC, 0-95%RH  
 Insulation 20M ohms min@500VDC  
 Weight 250-375g

# MPT9610 - PRESSURE & TEMP INDICATOR ALARM - 1/4DIN



**SAMEDAY SHIPPING**

## TERMINAL CONFIGURATION



## STANDARD

PRESSURE TRANSDUCER INPUT  
 SCALEABLE RANGE  
 3 CONFIGURABLE ALARMS  
 HIGH/LOW/OFF TEMP or PRESS  
 AUTO or MANUAL CALIBRATION  
 MANUAL ZERO  
 PROCESS VALUE - RETRANS  
 THERMOCOUPLE J INPUT  
 LOCKOUT

## ORDER CODE

MPT9610-PTRRR	RETRANS of PV	PRESSURE	TEMPERATURE
M	4-20mA	eg. 10,000psi	eg. 800°F
0	0-10mA	700bar	400°C
1	0-20mA		
5	0-5V		
6	1-5V		
10	0-10V		

## SPECIFICATIONS - MPT9610

### INPUTS

PRESSURE TRANSDUCER 350ohm STRAIN GAUGE,  
 2.00 - 4.00mV/V, standard 3.3mV/V  
 EXCIT 10VDC  
 TEMPERATURE THERMOCOUPLE J  
 ACCURACY +/-0.5%  
 SAMPLE RATE 100ms

### ALARM OUTPUTS

ALARM 1, 2, 3 5A/240VAC resistive

### POWER

RATING 85 - 265 VAC 50/60Hz 10VA max

### RETRANSMISSION of PRESSURE VALUE

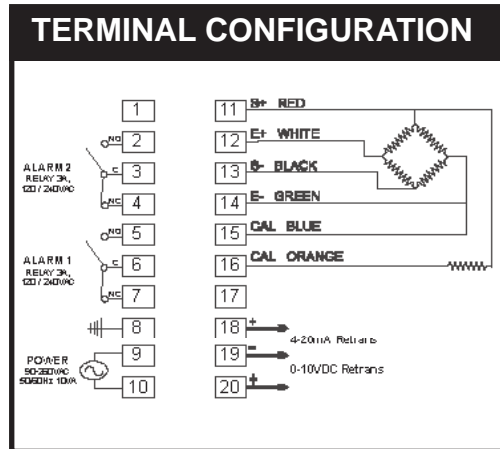
CURRENT 4-20mA, 0-20mA, 0-10mA Max load 500 ohm  
 VOLTAGE 0-10VDC, 0-5VDC, 1-5VDC Max 20mA

### ENVIRONMENTAL

OPERAT TEMP -10 - 50C  
 HUMIDITY 90% MAX  
 INSULATION 20M ohms minimum @ 500VDC

### PHYSICAL DIMENSIONS

MPT9610 96mmW x 96mmH x 100mmD  
 MPT9610 Cutout 91mmW x 91mmH +/-0.5mm  
 WEIGHT 300g



**STANDARD**

- 350ohm STRAIN GAGE INPUT
- SCALEABLE RANGE
- 2 CONFIGURABLE ALARMS
- HIGH/LOW/OFF
- AUTO / MANUAL CALIBRATION
- MANUAL ZERO
- LOCKOUT
- PROCESS VALUE - RETRANS

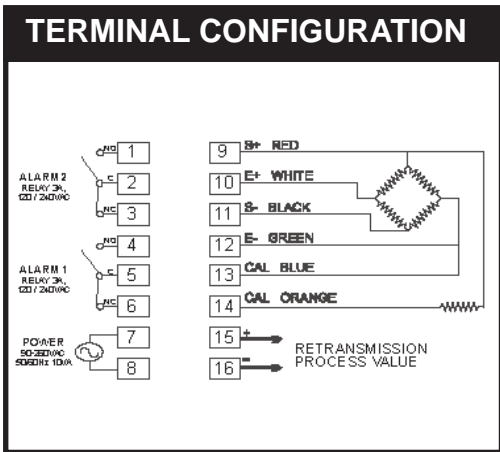
**MODEL CODE**

MP9410-PRR -

RETRANS of PV	
M	4-20mA
0	0-10mA
1	0-20mA
5	0-5V
6	1-5V
10	0-10V



**MP9610 - PRESSURE INDICATOR ALARM - 1/4DIN**



**STANDARD**

- 350ohm STRAIN GAGE INPUT
- SCALEABLE RANGE
- 2 CONFIGURABLE ALARMS
- HIGH/LOW/OFF
- AUTO/MANUAL CALIBRATION
- MANUAL ZERO
- LOCKOUT
- PROCESS VALUE - RETRANS

**MODEL CODE**

MP9610-PRR -

RETRANS of PV	
M	4-20mA
0	0-10mA
1	0-20mA
5	0-5V
6	1-5V
10	0-10V



**SPECIFICATIONS - MP9410 & MP9610**

**INPUT - PRESSURE TRANSDUCER**

350ohm STRAIN GAUGE      2.00-4.00mV/V standard 3.30mV/V  
 EXCITATION VOLTAGE      10VDC  
 ACCURACY                    +/-0.5%  
 SAMPLE RATE                100mS

**ALARM OUTPUTS**

ALARM 1                      5A/240VAC resistive NO/NC  
 ALARM 2                      5A/240VAC resistive NO/NC

**RETRANSMISSION of PROCESS VALUE**

CURRENT                      4-20mA, 0-20mA, 0-10mA Max load 500 ohm  
 VOLTAGE                      0-5VDC, 1-5VDC Max 20mA

**POWER**

RATING                      85 - 265 VAC 50/60Hz      10VA max

**ENVIRONMENTAL**

OPERATING TEMP -10 - 50C  
 HUMIDITY                    90% MAX  
 INSULATION                20M ohms minimum @ 500VDC  
 WEIGHT                      300g

**PHYSICAL DIMENSIONS**

MP9410                      96mmW x 48mmH x 100mmD  
 MP9410 Cutout            91mmW x 45mmH +/-0.5mm  
 MP9610                      96mmW x 96mmH x 100mmD  
 MP9610 Cutout            91mmW x 91mmH +/-0.5mm



## MECHANICAL GAUGES

### STANDARD FEATURES

LOCAL READING - NO POWER  
 LARGE 4.4" ROUND DIAL - ROTATES 270°F  
 RANGES - 1500psi to 30,000psi  
 3% ACCURACY  
 750°F(400°C) MERCURY FILL  
 INCONEL TIP - 1/2"-20UNF THREAD

### OPTIONS

TIP OPTIONS: Hastelloy,  
 Titanium Nitride  
 THREAD OPTIONS: M18x1.5, Custom  
**750°F(400°C) MERCURY FREE FILL**

## MPG100



### MPG1XX - P XX

**00** - 6" Stem  
**01** - 12" Stem  
**1.5** - 1,500psi  
**3** - 3,000psi  
**5** - 5,000psi  
**10** - 10,000psi  
 Custom

**X**  
**M** - Psi x 1000  
**B** - Bar x 100  
**P** - MPa

**X**  
**S** - Standard Inconel  
**C** - Chromium Nitride  
**T** - Titanium Nitride  
**I** - Inconel Tip + Threads  
**H** - Hastelloy  
**D** - Diamond Particulate

### STOCK LIST

PART#	STEM	FLEX	PRESSURE
MPG100-P1.5MS	6"		1500psi
MPG100-P3MS	6"		3000psi
MPG100-P5MS	6"		5000psi
MPG100-P10MS	6"		10000psi
MPG100-P15MS	6"		15000psi
MPG100-P20MS	6"		20000psi
MPG110-P1.5MS	12"		1500psi
MPG110-P3MS	12"		3000psi
MPG110-P5MS	12"		5000psi
MPG110-P10MS	12"		10000psi

## MPG200



### MPG2X X - P XX

**0** - 6" Stem  
**1** - 12" Stem  
**0** - 30" Flex  
**1** - 60" Flex

**1.5** - 1,500psi  
**3** - 3,000psi  
**5** - 5,000psi  
**10** - 10,000psi  
 Custom

**X**  
**M** - Psi x 1000  
**B** - Bar x 100  
**P** - MPa

**X**  
**S** - Standard Inconel  
**C** - Chromium Nitride  
**T** - Titanium Nitride  
**I** - Inconel Tip + Threads  
**H** - Hastelloy  
**D** - Diamond Particulate

### STOCK LIST

PART#	STEM	FLEX	PRESSURE
MPG200-P5MS	6"	30"	5000psi
MPG200-P10MS	6"	30"	10000psi
MPG200-P15MS	6"	30"	15000psi
MPG200-P20MS	6"	30"	20000psi
MPG200-P30MS	6"	30"	30000psi
MPG260-P10MS	6"	60"	10000psi
MPG210-P10MS	12"	30"	10000psi

## MPGJ00



### MPG X

**J** - Thermocouple J  
**K** - Thermocouple K  
 RTD - PT100 Sensor

**X**  
**0** - 6" Stem  
**1** - 12" Stem  
**0** - 30" Flex  
**1** - 60" Flex

**X - P XX**  
**1.5** - 1,500psi  
**3** - 3,000psi  
**5** - 5,000psi  
**10** - 10,000psi  
 Custom

**X**  
**M** - Psi x 1000  
**B** - Bar x 100  
**P** - MPa

**X**  
**S** - Standard Inconel  
**C** - Chromium Nitride  
**T** - Titanium Nitride  
**I** - Inconel Tip + Threads  
**H** - Hastelloy  
**D** - Diamond Particulate

### STOCK LIST

PART#	STEM	FLEX	PRESSURE
MPGJ00-P5MS	6"	30"	5,000psi
MPGJ00-P10MS	6"	30"	10,000psi
MPG100-P5MS	12"	30"	10,000psi

## SPECIFICATIONS

### PERFORMANCE

RANGES - 1500 to 30,000psi  
 MAX ERROR - +/-3%  
 ZERO ADJUST - 20% Full Scale

### TEMPERATURE

MAX TIP TEMP - 750°F (400°C)  
 ZERO SHIFT - 35psi / 100°F  
 MAX HOUSING TEMP - 275°F (135°C)

### MECHANICAL & MATERIALS

CASE - Stainless Steel  
 WINDOW - Safety Glass  
 OVERLOAD - 1.5x Full Scale  
 MOUNTING TORQUE - 150(min) - 500(max) inch-lbs  
 DIAPHRAGM - Standard - Inconel  
 Option - Hastelloy

## MHP SERIES TRANSDUCERS



**MHP - Transducer**

<b>MHP - X</b>	<b>P XX X</b>	<b>X</b>	<b>X</b>
3 - 3mV/V	1 M - Psi x1000	S - 6PIN BAYONET	S - 1/4"-18 NPT MALE
2 - 2.5mV/V	1.5 C - Psi x100	4 - 4POLE DIN	8M - 1/8"-27 NPT MALE
	3 B - BAR x100		8F - 1/8"-27 NPT FEMALE
	5 P - Psi		
	7.5		
	10		
	15 30		
	20 50		

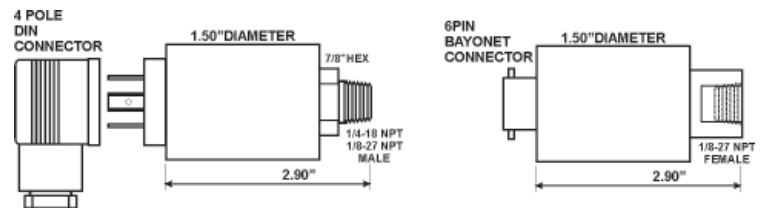
STOCK LIST - MHP (3mV/V)		
PRESS (psi)	1/8-27NPT (female)	1/4-18NPT (male)
500	✓	✓
1,000	✓	✓
2,500	✓	✓
3,000	✓	✓
5,000	✓	✓
10,000	✓	✓

**FEATURES MHP**

- Standard 3mV/V
- Standard 1/4"-18 NPT Male
- 6pin Bayonet Connector
- 0.5% combined error
- 80% Output Calibration
- 250°F (120°C) Rating
- Ranges from 0-15 to 0-30,000psi
- Wetted Parts ALL STAINLESS STEEL

**OPTIONS MHP**

- OUTPUT OPTIONS 2.5, 3mV/V
- CONNECTOR OPTIONS 4 Pole DIN
- PRESSURE PORT 1/8"-27 NPT Female, 1/8"-27 NPT Male



## MHT SERIES TRANSMITTERS



**MHT - Transmitter**

<b>MHT - X</b>	<b>P XX X</b>	<b>X</b>	<b>X</b>
4 - 4-20mA	1 M - Psi x1000	S - 6PIN BAYONET	S - 1/4"-18 NPT MALE
5 - 0-5VDC	1.5 C - Psi x100	4 - 4POLE DIN	8M - 1/8"-27 NPT MALE
6 - 1-6VDC(3WIRE)	3 B - BAR x100		8F - 1/8"-27 NPT FEMALE
7 - 0-10VDC	5 P - Psi		
8 - 1-11VDC(3WIRE)	7.5		
	10		
	15 30		
	20 50		

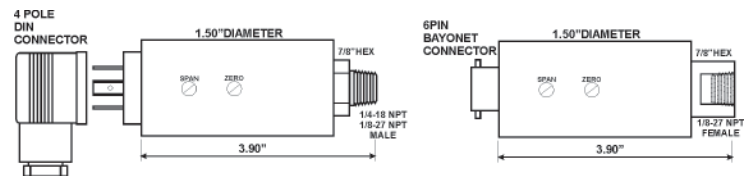
STOCK LIST - MHT			
OUTPUT	PRESS (psi)	1/8-27NPT (female)	1/4-18NPT (male)
4-20mA	500	✓	✓
	1,000	✓	✓
and	2,500	✓	✓
	3,000	✓	✓
0-10VDC	5,000	✓	✓
	10,000	✓	✓

**FEATURES MHT**

- Standard 4-20mA
- Standard 1/4"-18 NPT Male
- 6pin Bayonet Connector
- 0.5% combined error
- 80% Output Calibration
- 250°F (120°C) Rating
- Ranges from 0-15 to 0-30,000psi
- WETTED PARTS ALL STAINLESS STEEL

**OPTIONS MHT**

- OUTPUT OPTIONS 0-20mA 0-5VDC 0-10VDC
- CONNECTOR OPTIONS 4 Pole DIN
- PRESSURE PORT 1/8"-27 NPT Female, 1/8"-27 NPT Male



## SPECIFICATIONS

**MECHANICAL**

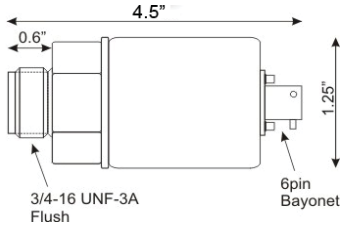
- Ranges: 0-15 to 0-20,000psi
- Max Error: 0.5% of FS
- Repeatability: +/-0.2%
- Overload Capab: 2x FS
- Enclosure Rating: IP65

**TEMPERATURE**

- Max Diaph. Temp: 250°F(120°C)
- Zero Shift of Diaph.: 0.15% of FS
- Max Housing Temp: 250°F(120°C)

**ELECTRICAL**

- Measuring Sensor: 350ohm Wheatstone Bridge
- Internal Shunt Cal(MHP): 80% of FS
- Zero & Span Adjust(MHT): +/-0.15% of FS
- Response Time: 15mS
- Excitation(MHP): 2.5 or 3mV/V (exc. 7-12V rec.10)
- Excitation(MHT): 0-10V(14-36V) 0-5V(11-36V) 4-20mA(14-36V)



### FEATURES

Flush Mount Pressure Port  
 Standard 3/4-16UNF-3A  
 Zero Volume - Ideal for Viscous Materials  
 Output - 3 mV/V  
 Accuracy +/-0.5%  
 Internal Shunt Cal - 80%  
 250°F (120°C) Rating  
 Ranges from 0-15 to 0-10,000psi

### OPTIONS

OUTPUT OPTIONS  
 4-20mA  
 0-5VDC 0-10VDC  
 Connector - 4 Pole DIN  
 Custom Pressure Port

### ORDER CODE

<b>MHP32</b>	<b>X</b>	<b>- X</b>	<b>XX</b>	<b>X</b>	<b>X</b>	<b>X</b>
1 - 3.3mV/V	2 - 2.5mV/V	4 - 4-20mA	5 - 0-5VDC	6 - 1-5VDC	7 - 0-10VDC	10 20
<b>P</b> - 0psi Low Pressure	<b>V</b> - (-14.7psi) Vacuum Low Pressure	<b>1</b>	<b>1.5</b>	<b>3</b>	<b>5</b>	<b>7.5 15</b>
		<b>S</b> - Psi	<b>C</b> - Psi x 100	<b>M</b> - Psi x 1000	<b>B</b> - Bar x 100	<b>P</b> - MPa
		<b>S</b> - 3/4-16UNF-3A	<b>S</b> - 6pin Bayonet	<b>4</b> - 4pin DIN		

## SPECIFICATIONS

#### MECHANICAL

Ranges: 0-15 to 0-20,000psi  
 Max Error: 0.5% of FS  
 Repeatability: +/-0.2%  
 Overload Capab: 2x FS  
 Enclosure Rating: IP65  
 Wetted Materials: 17-4PH S/S

#### TEMPERATURE

Max Diaph. Temp: 250°F(120°C)  
 Zero Shift of Diaph.: 0.15% of FS  
 Max Housing Temp: 250°F(120°C)

#### ELECTRICAL

Measuring Sensor: 350ohm Wheatstone Bridge  
 Internal Shunt Cal(MHP): 80% of FS  
 Zero & Span Adjust(MHT): +/-0.15% of FS  
 Response Time: 15mS  
 Excitation(MHP): 2.5 or 3mV/V (exc. 7-12V rec.10)  
 Excitation(MHT): 0-10V(14-36V) 0-5V(11-36V) 4-20mA(14-36V)

## MHT310 INDUSTRIAL PRESSURE TRANSMITTER



### FEATURES

Piezoresistance Silicon Chip  
 Ultra Stable MEMS Technology  
 Output - 4-20mA or 0-10VDC  
 Accuracy +/-0.5%  
 250°F (125°C) Rating  
 Ranges from Vacuum to 30psi to 0-10,000psi  
 Standard - Gauge Pressure  
 Pressure Port - 1/4"NPT  
 Wetted Parts - All Stainless Steel  
 4pin Connector or 78"PVC Leads  
 IP65

### OPTIONS

OUTPUT OPTIONS  
 0-5VDC 1-5VDC  
 Option - Absolute Pressure  
 Sealed Gauge Pressure  
 Pressure Port - 1/8"MNPT  
 1/8"FNPT  
 Custom

### ORDER CODE

<b>MHT31</b>	<b>X</b>	<b>- X</b>	<b>XX</b>	<b>X</b>	<b>X</b>	<b>X</b>
4 - 4-20mA	5 - 0-5VDC	6 - 1-5VDC	7 - 0-10VDC	<b>P</b> - 0psi Low Pressure	<b>V</b> - (-14.7psi) Vacuum Low Pressure	<b>1</b>
						<b>1.5</b>
						<b>3</b>
						<b>5</b>
						<b>7.5 15</b>
						<b>10 20</b>
				<b>S</b> - Psi	<b>C</b> - Psi x 100	<b>M</b> - Psi x 1000
				<b>B</b> - Bar x 100	<b>P</b> - MPa	
				<b>S</b> - 1/4"MNPT	<b>8</b> - 1/8"MNPT	<b>4</b> - 4pin DIN (mini)
						<b>W</b> - 78"(2m) PVC
						- - Gauge Pressure
						<b>A</b> - Absolute Pressure
						<b>S</b> - Sealed Gauge Pressure

## STOCK LIST 4-20mA

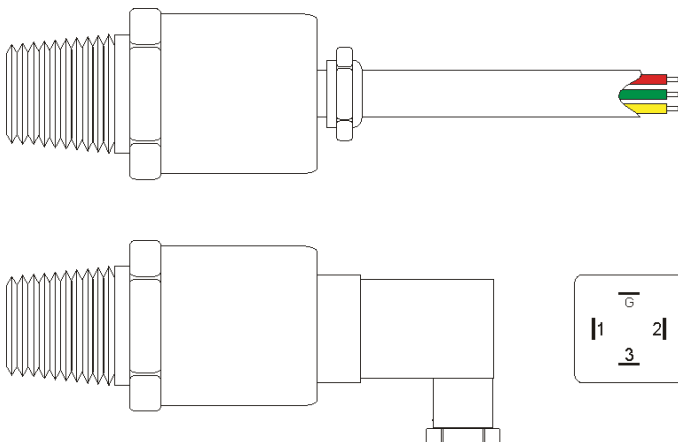
PART#	PRESSURE	OUTPUT	CONNECTOR	PORT
MHT314V30SS4	(-14.7)-30psi	4-20mA	4pin DIN	1/4"MNPT
MHT314P30SS4	0-30psi	4-20mA	4pin DIN	1/4"MNPT
MHT314P60SS4	0-60psi	4-20mA	4pin DIN	1/4"MNPT
MHT314P100SS4	0-100psi	4-20mA	4pin DIN	1/4"MNPT
MHT314P150SS4	0-150psi	4-20mA	4pin DIN	1/4"MNPT
MHT314P250SS4	0-250psi	4-20mA	4pin DIN	1/4"MNPT
MHT314P500SS4	0-500psi	4-20mA	4pin DIN	1/4"MNPT
MHT314P1MS4	0-1,000psi	4-20mA	4pin DIN	1/4"MNPT
MHT314P2MS4	0-2,000psi	4-20mA	4pin DIN	1/4"MNPT
MHT314P3MS4	0-3,000psi	4-20mA	4pin DIN	1/4"MNPT
MHT314P5MS4	0-5,000psi	4-20mA	4pin DIN	1/4"MNPT
MHT314P10MS4	0-10,000psi	4-20mA	4pin DIN	1/4"MNPT

PART#	PRESSURE	OUTPUT	CONNECTOR	PORT
MHT314V30SSW	(-14.7)-30psi	4-20mA	78"(2m) PVC wire	1/4"MNPT
MHT314P30SSW	0-30psi	4-20mA	78"(2m) PVC wire	1/4"MNPT
MHT314P60SSW	0-60psi	4-20mA	78"(2m) PVC wire	1/4"MNPT
MHT314P100SSW	0-100psi	4-20mA	78"(2m) PVC wire	1/4"MNPT
MHT314P150SSW	0-150psi	4-20mA	78"(2m) PVC wire	1/4"MNPT
MHT314P250SSW	0-250psi	4-20mA	78"(2m) PVC wire	1/4"MNPT
MHT314P500SSW	0-500psi	4-20mA	78"(2m) PVC wire	1/4"MNPT
MHT314P1MSW	0-1,000psi	4-20mA	78"(2m) PVC wire	1/4"MNPT
MHT314P2MSW	0-2,000psi	4-20mA	78"(2m) PVC wire	1/4"MNPT
MHT314P3MSW	0-3,000psi	4-20mA	78"(2m) PVC wire	1/4"MNPT
MHT314P5MSW	0-5,000psi	4-20mA	78"(2m) PVC wire	1/4"MNPT
MHT314P10MSW	0-10,000psi	4-20mA	78"(2m) PVC wire	1/4"MNPT

## STOCK LIST 0-10V

PART#	PRESSURE	OUTPUT	CONNECTOR	PORT
MHT317V30SS4	(-14.7)-30psi	0-10V	4pin DIN	1/4"MNPT
MHT317P30SS4	0-30psi	0-10V	4pin DIN	1/4"MNPT
MHT317P60SS4	0-60psi	0-10V	4pin DIN	1/4"MNPT
MHT317P100SS4	0-100psi	0-10V	4pin DIN	1/4"MNPT
MHT317P150SS4	0-150psi	0-10V	4pin DIN	1/4"MNPT
MHT317P250SS4	0-250psi	0-10V	4pin DIN	1/4"MNPT
MHT317P500SS4	0-500psi	0-10V	4pin DIN	1/4"MNPT
MHT317P1MS4	0-1,000psi	0-10V	4pin DIN	1/4"MNPT
MHT317P2MS4	0-2,000psi	0-10V	4pin DIN	1/4"MNPT
MHT317P3MS4	0-3,000psi	0-10V	4pin DIN	1/4"MNPT
MHT317P5MS4	0-5,000psi	0-10V	4pin DIN	1/4"MNPT
MHT317P10MS4	0-10,000psi	0-10V	4pin DIN	1/4"MNPT

PART#	PRESSURE	OUTPUT	CONNECTOR	PORT
MHT317V30SSW	(-14.7)-30psi	0-10V	78"(2m) PVC wire	1/4"MNPT
MHT317P30SSW	0-30psi	0-10V	78"(2m) PVC wire	1/4"MNPT
MHT317P60SSW	0-60psi	0-10V	78"(2m) PVC wire	1/4"MNPT
MHT317P100SSW	0-100psi	0-10V	78"(2m) PVC wire	1/4"MNPT
MHT317P150SSW	0-150psi	0-10V	78"(2m) PVC wire	1/4"MNPT
MHT317P250SSW	0-250psi	0-10V	78"(2m) PVC wire	1/4"MNPT
MHT317P500SSW	0-500psi	0-10V	78"(2m) PVC wire	1/4"MNPT
MHT317P1MSW	0-1,000psi	0-10V	78"(2m) PVC wire	1/4"MNPT
MHT317P2MSW	0-2,000psi	0-10V	78"(2m) PVC wire	1/4"MNPT
MHT317P3MSW	0-3,000psi	0-10V	78"(2m) PVC wire	1/4"MNPT
MHT317P5MSW	0-5,000psi	0-10V	78"(2m) PVC wire	1/4"MNPT
MHT317P10MSW	0-10,000psi	0-10V	78"(2m) PVC wire	1/4"MNPT



### WIRING - "W"

CURRENT(2wire)	VOLTAGE(3wire)
RED : +EXCITATION	RED : +EXCITATION
GREEN : +OUTPUT	GREEN : -EXCITATION
	YELLOW : +OUTPUT

### WIRING - "4"

CURRENT(2wire)	VOLTAGE(3wire)
PIN 1 : +EXCITATION	PIN 1 : +EXCITATION
PIN 2 : +OUTPUT	PIN 2 : -EXCITATION
	PIN 3 : +OUTPUT

## SPECIFICATIONS

### MECHANICAL

**Ranges:** 0-15 to 0-10,000psi  
**Overload Capab:** 2x FS  
**Enclosure Rating:** IP65  
**Wetted Materials:** 316 S/S

### TEMPERATURE

**Operating Temp Range:** -40 to 250°F(120°C)  
**Comp. Temp Range:** -20 to 185°F(85°C)

### ELECTRICAL

**Max Error:** 0.5% of FS  
**Repeatability:** +/-0.2%  
**Long Term Stability:** +/-0.2%FS/YR  
**Response Time:** 15mS  
**Excitation(MHT):** 24VDC (13-30V)



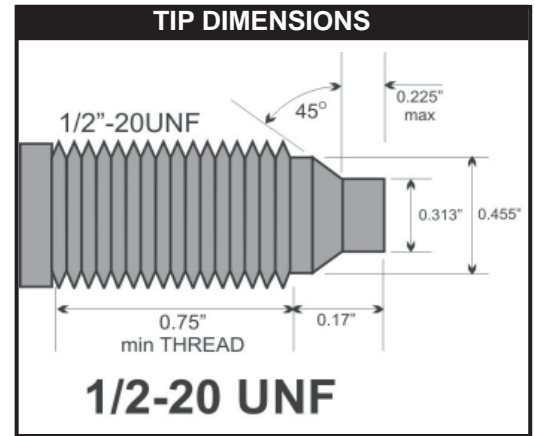
### STANDARD FEATURES-

Max Temp - 750°F  
 Inconel Diaphragm  
 Standard Threads:  
 1/2"-20UNF  
 5/8"-11NC  
 3/4"-16NC  
 +/-5% Accuracy  
 Ranges from:  
 0-1500 to 14,500psi

### OPTIONS

Max Temp - 1000°F  
 Hastelloy Diaphragm  
 Threads:  
 1"-20UNF  
 M18x1.5  
 Others  
 Custom Tip Dimensions

## 1/2"-20UNF EXTRUDER RUPTURE DISKS



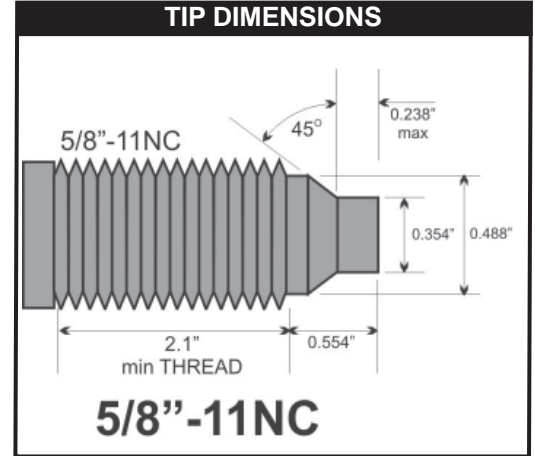
### STOCK LIST - 1/2"-20UNF

PRESSURE	1.82" L	3"+Hex	6"+Hex	8"+Hex	10"+Hex	12"+Hex
1500psi	RP1202-1500	RP1203-1500	RP1206-1500	RP1208-1500	RP1210-1500	RP1212-1500
2500psi	RP1202-2500	RP1203-2500	RP1206-2500	RP1208-2500	RP1210-2500	RP1212-2500
3500psi	RP1202-3500		RP1206-3500	RP1208-3500	RP1210-3500	RP1212-3500
4500psi	RP1202-4500		RP1206-4500	RP1208-4500	RP1210-4500	RP1212-4500
5000psi	RP1202-5000	RP1203-5000	RP1206-5000	RP1208-5000	RP1210-5000	RP1212-5000
5500psi	RP1202-5500	RP1203-5500	RP1206-5500	RP1208-5500	RP1210-5500	RP1212-5500
6500psi	RP1202-6500	RP1203-6500	RP1206-6500	RP1208-6500	RP1210-6500	RP1212-6500
7500psi	RP1202-7500	RP1203-7500	RP1206-7500	RP1208-7500	RP1210-7500	RP1212-7500
8500psi	RP1202-8500	RP1203-8500	RP1206-8500	RP1208-8500	RP1210-8500	RP1212-8500
9000psi	RP1202-9000	RP1203-9000	RP1206-9000	RP1208-9000	RP1210-9000	RP1212-9000
9500psi	RP1202-9500	RP1203-9500	RP1206-9500	RP1208-9500	RP1210-9500	RP1212-9500
10000psi	RP1202-10000	RP1203-10000	RP1206-10000	RP1208-10000	RP1210-10000	RP1212-10000
10500psi	RP1202-10500	RP1203-10500	RP1206-10500	RP1208-10500	RP1210-10500	RP1212-10500
11000psi		RP1203-11000	RP1206-11000	RP1208-11000	RP1210-11000	RP1212-11000
12000psi	RP1202-12000	RP1203-12000	RP1206-12000	RP1208-12000	RP1210-12000	RP1212-12000
14500psi	RP1202-14500	RP1203-14500	RP1206-14500	RP1208-14500	RP1210-14500	RP1212-14500

## 5/8"-11NC EXTRUDER RUPTURE DISKS



RP587 - 7" L



### STOCK LIST - 5/8"-16NC

PRESSURE	4" L	7" L	9" L
5000psi	RP5804-5000	RP5807-5000	RP5809-5000
7500psi	RP5804-7500	RP5807-7500	RP5809-7500
10000psi	RP5804-10000	RP5807-10000	RP5809-10000

## 3/4"-16NC EXTRUDER RUPTURE DISKS



RP345 - 5.5" L



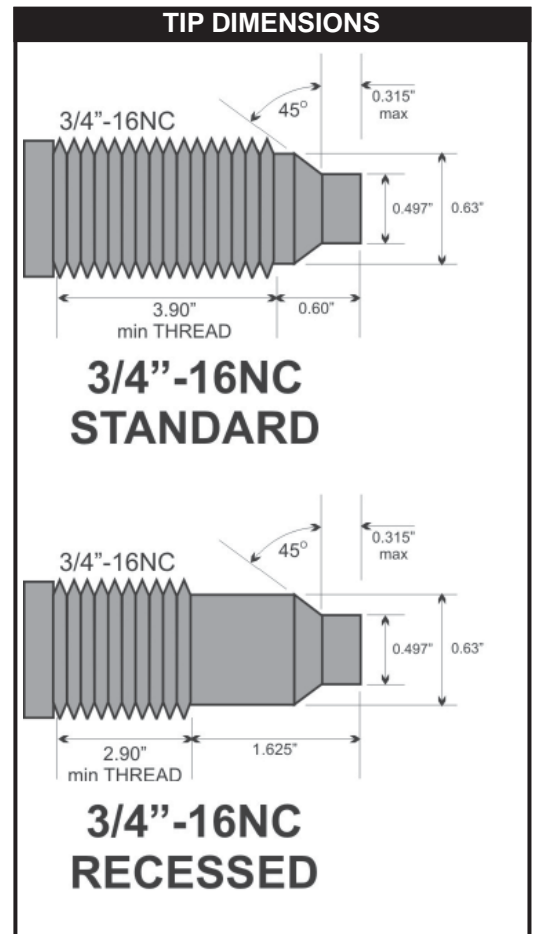
RP345R - 5.5" L



RP349 - 9" L

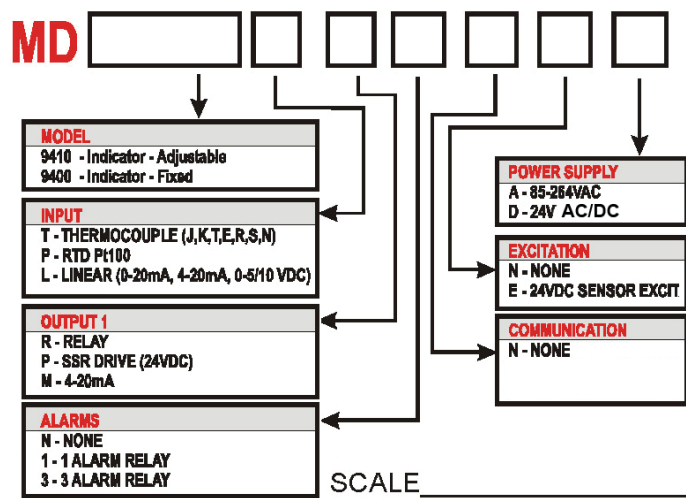


RP349R - 9" L



### STOCK LIST - 3/4"-16NC

MODEL	5000psi	7500psi	9000psi	10,000psi
4"	RP3404-5000	RP3404-7500	RP3404-9000	RP3404-10000
4"R	RP3404R-5000	RP3404R-7500	RP3404R-9000	RP3404R-10000
5"	RP3405-5000	RP3405-7500	RP3405-9000	RP3405-10000
5"R	RP3405R-5000	RP3405R-7500	RP3405R-9000	RP3405R-10000
8"	RP3408-5000	RP3408-7500	RP3408-9000	RP3408-10000
8"R	RP3408R-5000	RP3408R-7500	RP3408R-9000	RP3408R-10000
9"	RP3409-5000	RP3409-7500	RP3409-9000	RP3409-10000
9"R	RP3409R-5000	RP3409R-7500	RP3409R-9000	RP3409R-10000



## STANDARD

0.8" LARGE 3.5 DIGIT DISPLAY  
INPUT TC,RTD,4-20mA, 0-10VDC  
3.5 DIGIT DISPLAY  
PROGRAMMABLE SCALING  
POWER - 90 - 260VAC

## OPTIONS

1, 3 ALARM OUTPUT  
4-20mA RETRANSMISSION  
24VDC SENSOR EXCITATION  
POWER - 24V AC/DC

## SPECIFICATIONS - MD SERIES

<b>INPUT</b> Thermocouple J, K, T, E, B, R, S, N RTD Pt100 ohms RTD (DIN) Range Config -1999 to +9999 Accuracy 0.25% +/-1 DIGIT Sample Rate 200mS	<b>ENVIRONMENT</b> Temp&Humid. 0-55degC, 0-95%RH Insulation 20M ohms min @ 500VDC	<b>POWER</b> Standard 85-265VAC 50/60Hz 6VA Option 24V AC/DC
<b>PHYSICAL</b> Size 96x48x100mm (1/8DIN) Panel cutout 92mmx45mm Display 4 DIGIT, 13mm LED Weight 250-375g	<b>OUTPUT</b> Alarms (3 max) 3A/240VAC resistive. PV Retrans Isolated 0/4-20mADC	

## CABLE & CONNECTORS - TRANSDUCER / TRANSMITTERS



### ORDER CODE

**MP - CAB - Connector - Material - Protection - Length**

- |                          |                         |                         |                         |
|--------------------------|-------------------------|-------------------------|-------------------------|
| <b>6B</b> - 6pin Bayonet | <b>P</b> - 105°C PVC    | <b>N</b> - None         | <b>12</b> - 12ft (3.7m) |
| <b>6S</b> - 6pin Screw   | <b>T</b> - 200°C Teflon | <b>B</b> - 304SS Braid  | <b>25</b> - 25ft (7.7m) |
| <b>8S</b> - 8pin Screw   |                         | <b>H</b> - 304SS Armour | <b>50</b> - 50ft (15m)  |

### STOCK LIST

LENGTH	DESCRIPTION	LENGTH	DESCRIPTION
MP-CAB-6B-PN12	6pin Bayonet 12ft PVC	MP-CAB-6B-TH12	6pin Bayonet 12ft Teflon/Braid
MP-CAB-6B-PN25	6pin Bayonet 25ft PVC	MP-CAB-6B-TH25	6pin Bayonet 25ft Teflon/Braid
MP-CAB-6B-PN50	6pin Bayonet 50ft PVC	MP-CAB-6B-TH50	6pin Bayonet 50ft Teflon/Braid
MP-CAB-6B-TN12	6pin Bayonet 12ft Teflon	MP-CAB-6B-TB12	6pin Bayonet 12ft Teflon/Armour
MP-CAB-6B-TN25	6pin Bayonet 25ft Teflon	MP-CAB-6B-TB25	6pin Bayonet 25ft Teflon/Armour
MP-CAB-6B-TN50	6pin Bayonet 50ft Teflon	MP-CAB-6B-TB50	6pin Bayonet 50ft Teflon/Armour

## CABLE ASSEMBLIES - THERMOCOUPLE / RTD



### ORDER CODE

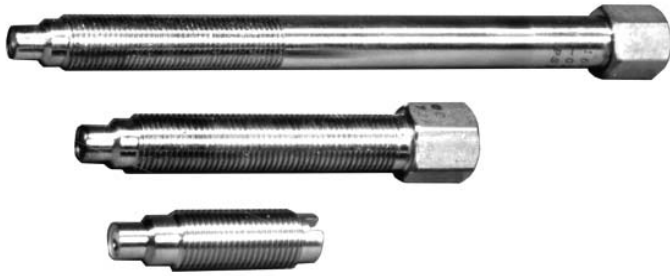
**A900 - Type - Length - Wire - Term 1 - Term 2**

<b>J</b> - Thermocouple J	<b>144</b> - 12ft (3.7m)	<b>P</b> - 105°C PVC	<b>1</b> - Fork Terminal	<b>1</b> - Fork Terminal
<b>K</b> - Thermocouple K	<b>300</b> - 25ft (7.7m)	<b>T</b> - 200°C Teflon	<b>2</b> - Male Plug	<b>2</b> - Male Plug
<b>RTD</b> - PT100 Sensor	<b>600</b> - 50ft (15m)	<b>B</b> - 450°C Fiberglass + S/S Braid	<b>3</b> - Female Jack	<b>3</b> - Female Jack

### STOCK LIST

LENGTH	DESCRIPTION	LENGTH	DESCRIPTION
A900J-144-P-3-1	J-t/c 12ft PVC female+fork	A900J-144-B-3-1	J-t/c 12ft S/S Braid female+fork
A900J-300-P-3-1	J-t/c 25ft PVC female+fork	A900J-300-B-3-1	J-t/c 12ft S/S Braid female+fork

### TRANSDUCER HOLE PLUG

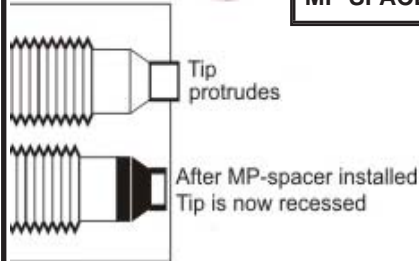


PART#	DESC
MP-PLUG-2	1.82" L SLOT
MP-PLUG-3	3" + Hex
MP-PLUG-6	6" + Hex

### TRANSDUCER - Tip Spacer



PART#	DESC
MP-SPACER-025	0.025" Spacer
MP-SPACER-032	0.032" Spacer
MP-SPACER-045	0.045" Spacer
MP-SPACER-063	0.063" Spacer
MP-SPACER-090	0.090" Spacer

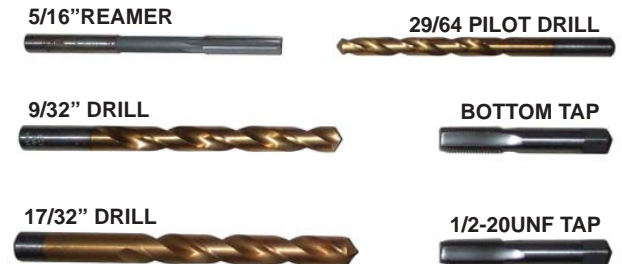


### HOLE CLEANING KIT



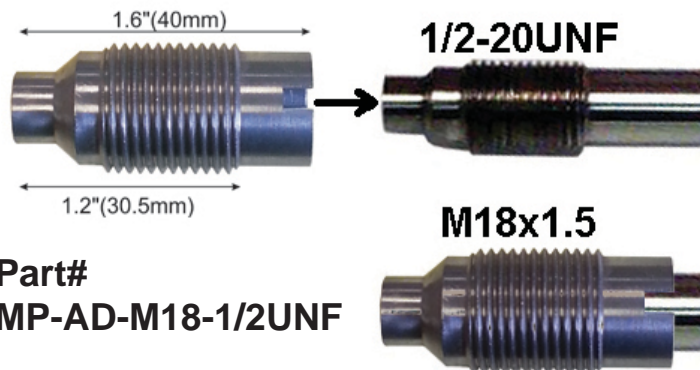
PART#	DESC
MP-CLEAN-1/2	1/2"-20UNF
MP-CLEAN-5/8	5/8"-11NC
MP-CLEAN-3/4	3/4"-16NC
MP-CLEAN-M18	M18x1.5

### HOLE DRILL KIT



PART#	DESC
MP-CUT-1/2	1/2"-20UNF
MP-CUT-5/8	5/8"-11NC
MP-CUT-3/4	3/4"-16NC
MP-CUT-M18	M18x1.5

### M18 to 1/2-20UNF ADAPTOR



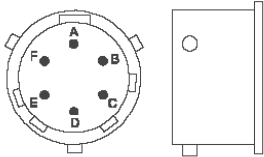
### MOUNTING BRACKET



## 6 PIN BAYONET



**MP-6BB**      **MP-6B**

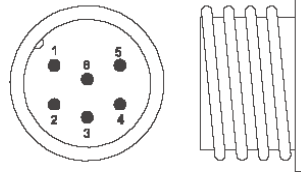


LEAD	COLOR	6 PIN
SIGNAL+	RED	A
SIGNAL-	BLACK	B
EXCITATION+	WHITE	C
EXCITATION-	GREEN	D
CALIBRATION	BLUE	E
CALIBRATION	ORANGE	F

## 6 PIN SCREW



**MP-6SB**      **MP-6S**

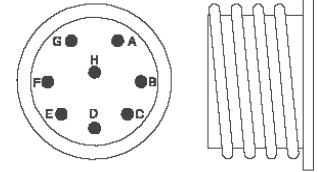


LEAD	COLOR	6 PIN
EXCITATION+	WHITE	1
EXCITATION-	GREEN	2
SIGNAL-	BLACK	3
SIGNAL+	RED	4
NOT USED		5
NOT USED		6

## 8 PIN SCREW



**MP-8SB**      **MP-8S**



LEAD	COLOR	8 PIN
EXCITATION+	WHITE	A
SIGNAL+	RED	B
EXCITATION-	GREEN	C
SIGNAL-	BLACK	D
CALIBRATION	BLUE	E
CALIBRATION	ORANGE	F
NOT USED		G
NOT USED		H
NOT USED		I

## TRANSMITTER WIRING

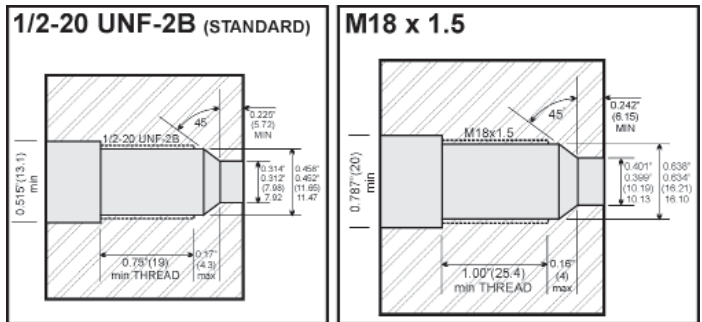
### WIRING - "W" - Bare Wire Leads

CURRENT(2wire)	VOLTAGE(3wire)
RED : +EXCITATION	RED : +EXCITATION
GREEN : +OUTPUT	GREEN : -EXCITATION
	YELLOW : +OUTPUT

### WIRING - "4" - 4pin Wiring

CURRENT(2wire)	VOLTAGE(3wire)
PIN 1 : +EXCITATION	PIN 1 : +EXCITATION
PIN 2 : +OUTPUT	PIN 2 : -EXCITATION
	PIN 3 : +OUTPUT

## MOUNTING HOLE DETAILS



## REPRESENTATIVE

## DIAPHRAGM SELECTION

DIAPHRAGM MATERIAL	APPLICATION
Inconel (Standard)	High Temp High Abrasion
Hastelloy C-276	Excellent Corrosion Resistance Below 600°F
Titanium Nitride	Abrasion Resistance
Diamond Particulate	Extreme Abrasion