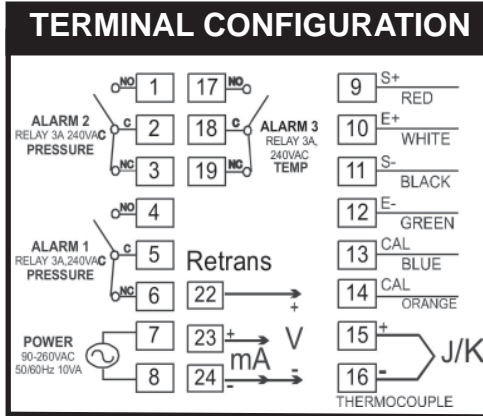


MPT9610 - PRESSURE & TEMP INDICATOR ALARM - 1/4DIN



STANDARD

- PRESSURE TRANSDUCER INPUT
- SCALEABLE RANGE
- 3 CONFIGURABLE ALARMS
 - HIGH/LOW/OFF TEMP or PRESS
- AUTO or MANUAL CALIBRATION
- MANUAL ZERO
- PROCESS VALUE - RETRANS
- THERMOCOUPLE J INPUT
- LOCKOUT

ORDER CODE

MPT9610-PTRRR -

RETRANS of PV	PRESSURE	TEMPERATURE
M 4-20mA	eg. 10,000psi	eg. 800°F
0 0-10mA	700bar	400°C
1 0-20mA		
5 0-5V		
6 1-5V		
10 0-10V		

SPECIFICATIONS - MPT9610

INPUTS

PRESSURE TRANSDUCER 350ohm STRAIN GAUGE,
2.00 - 4.00mV/V, standard 3.3mV/V

EXCIT 10VDC

TEMPERATURE THERMOCOUPLE J

ACCURACY +/-0.5%

SAMPLE RATE 100mS

ALARM OUTPUTS

ALARM 1, 2, 3 5A/240VAC resistive

POWER

RATING 85 - 265 VAC 50/60Hz 10VA max

RETRANSMISSION of PRESSURE VALUE

CURRENT 4-20mA, 0-20mA, 0-10mA Max load 500 ohm

VOLTAGE 0-10VDC, 0-5VDC, 1-5VDC Max 20mA

ENVIRONMENTAL

OPERAT TEMP -10 - 50C

HUMIDITY 90% MAX

INSULATION 20M ohms minimum @ 500VDC

PHYSICAL DIMENSIONS

MPT9610 96mmW x 96mmH x 100mmD

MPT9610 Cutout 91mmW x 91mmH +/-0.5mm

WEIGHT 300g