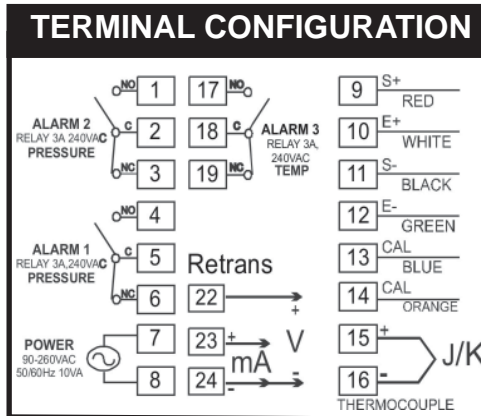


# MPT9610 - PRESSURE & TEMP INDICATOR ALARM - 1/4DIN



## STANDARD

PRESSURE TRANSDUCER INPUT  
 SCALEABLE RANGE  
 3 CONFIGURABLE ALARMS  
 HIGH/LOW/OFF TEMP or PRESS  
 AUTO or MANUAL CALIBRATION  
 MANUAL ZERO  
 PROCESS VALUE - RETRANS  
 THERMOCOUPLE J INPUT  
 LOCKOUT  
 OPTION - 24VDC

## ORDER CODE

MPT9610-PTRRR -

| RETRANS of PV | - Power            |
|---------------|--------------------|
| M 4-20mA      | - - 85-265VAC      |
| 0 0-10mA      | <b>24V</b> - 24VDC |
| 1 0-20mA      |                    |
| 5 0-5V        |                    |
| 6 1-5V        |                    |
| 10 0-10V      |                    |

## SPECIFICATIONS - MPT9610

### INPUTS

PRESSURE TRANSDUCER 350ohm STRAIN GAUGE,  
 2.00 - 4.00mV/V, standard 3.3mV/V  
 EXCIT 10VDC  
 TEMPERATURE THERMOCOUPLE J  
 ACCURACY +/-0.5%  
 SAMPLE RATE 100mS

### ALARM OUTPUTS

ALARM 1, 2, 3 5A/240VAC resistive

### POWER

RATING 85 - 265 VAC 50/60Hz 10VA max

### RETRANSMISSION of PRESSURE VALUE

CURRENT 4-20mA, 0-20mA, 0-10mA Max load 500 ohm  
 VOLTAGE 0-10VDC, 0-5VDC, 1-5VDC Max 20mA

### ENVIRONMENTAL

OPERAT TEMP -10 - 50C  
 HUMIDITY 90% MAX  
 INSULATION 20M ohms minimum @ 500VDC

### PHYSICAL DIMENSIONS

MPT9610 96mmW x 96mmH x 100mmD  
 MPT9610 Cutout 91mmW x 91mmH +/-0.5mm  
 WEIGHT 300g