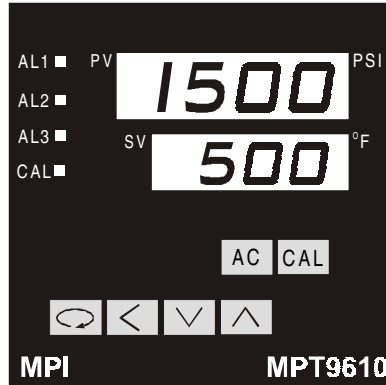




MELT PRESSURE & TEMPERATURE ALARM

MODEL MPT9610



STANDARD

PRESSURE TRANSDUCER INPUT
SCALEABLE RANGE
ALARM HIGH / LOW
AUTO CALIBRATION
AUTO ZERO
PROCESS VALUE - RETRANS

THERMOCOUPLE J INPUT
ALARM HIGH / LOW
LOCKOUT

MODEL CODE

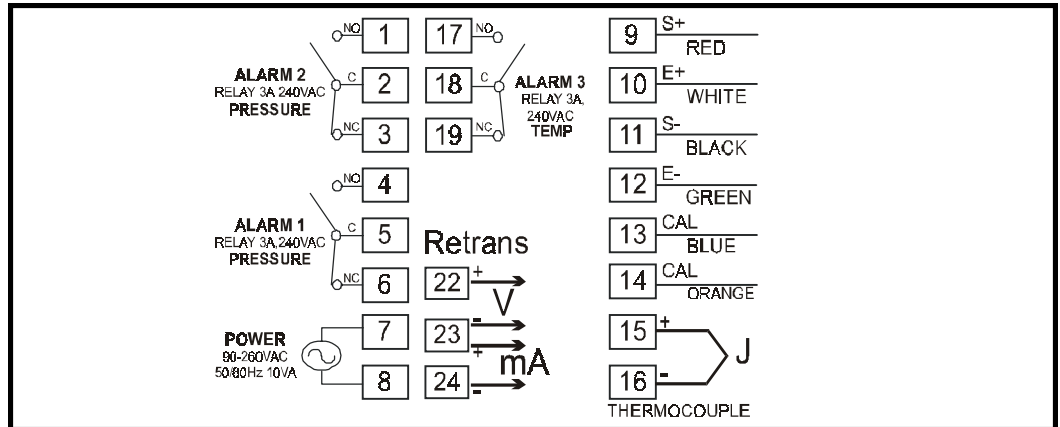
MPT9610-PTRRR - RETRANS of PV - SCALE

RETRANS	of PV	SCALE
N	NONE	3,000 psi
M	4-20mA	5,000 psi
0	0-10mA	7,500 psi
1	0-20mA	10,000 psi
5	0-5VDC	700 bar
6	1-5VDC	CUSTOM
10	0-10VDC	

PRESSURE SCALES
3,000 psi
5,000 psi
7,500 psi
10,000 psi
700 bar
CUSTOM

TEMP SCALES
800 °F T/C-J
400 °C T/C-J
CUSTOM

TERMINAL CONFIGURATION



SPECIFICATIONS

1. INPUTS

PRESSURE TRANSDUCER 350ohm STRAIN GAUGE, 3.3mV/V, EXCIT-10VDC
TEMPERATURE THERMOCOUPLE J
ACCURACY +/-0.5%
SAMPLE RATE 250ms

2. ALARM OUTPUTS

ALARM 1 (PRESSURE) 5A/240VAC resistive
ALARM 2 (TEMPERATURE) 5A/240VAC resistive

3. RETRANSMISSION of PRESSURE VALUE

CURRENT 4-20mA, 0-20mA, 0-10mA Max load 500 ohm
VOLTAGE 0-5VDC, 1-5VDC Max 20mA

4. POWER

RATING 85 - 265 VAC 50/60Hz 10VA max

5. ENVIRONMENTAL

OPERATING TEMP -10 - 50C
HUMIDITY 90% MAX
INSULATION 20M ohms minimum @ 500VDC
WEIGHT 300g

6. PHYSICAL DIMENSIONS

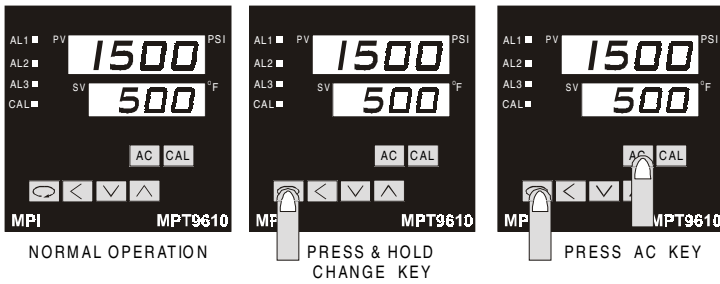
MPT9610 96mmW x 48mmH x 100mmD
MPT9610 Cutout 91mmW x 45mmH +/-0.5mm

TOLL FREE (800) 817-3486

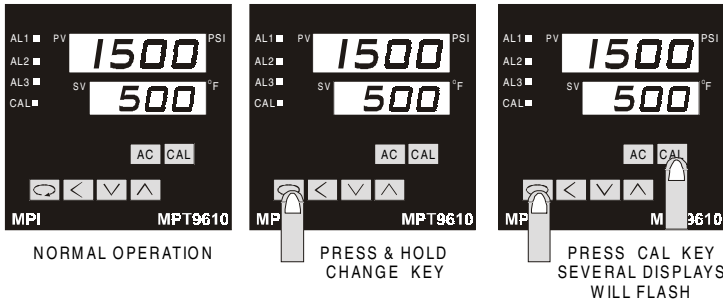
PH (416) 675-7329

FX (416) 675-7349

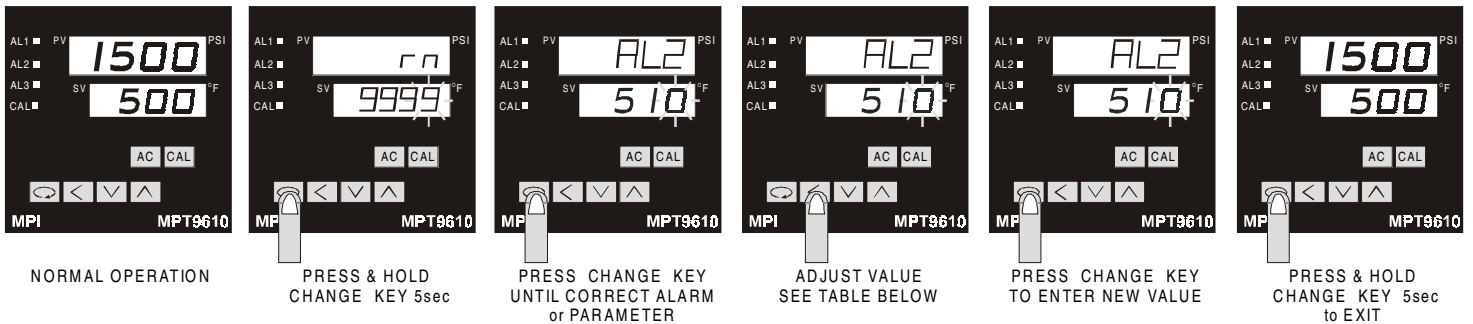
ZERO DISPLAY-PRESSURE



AUTO CAL-PRESSURE



CHANGE ALARMS / PARAMETERS



CODE	PARAMETER	RANGE	DEFAULT
rn	PRESSURE RANGE	500 - 9999	9999
du	DISPLAY GRADUATION	1, 2, 5	5
AL1	PRESSURE ALARM 1	0 - 9999	8000
P1HL	PRESSURE ALARM 1 TYPE	0000 - HIGH ALARM 0001 - LOW ALARM	0000 - HIGH ALARM
AL2	PRESSURE ALARM 2	0 - 9999	1000
P2HL	PRESSURE ALARM 2 TYPE	0000 - HIGH ALARM 0001 - LOW ALARM	0001 - LOW ALARM
AL3	TEMPERATURE ALARM	0 - 800	400
EHL	TEMPERATURE ALARM TYPE & DEGREE °F / °C	0000 - HI ALARM (°C) 0001 - LO ALARM (°C) 0002 - HI ALARM (°F) 0003 - LO ALARM (°F)	0002 - HI ALARM (°F)
CC	DO NOT ADJUST	DO NOT ADJUST	DO NOT ADJUST
HC	DO NOT ADJUST	DO NOT ADJUST	DO NOT ADJUST
OUT	RETRANSMISSION PROCESS VALUE	0-10 (0-10mA) 0-10 (0-10VDC) 4-20 (4-20mA) 0-5 (0-5VDC) 0-20 (0-10mA)	4-20 (4-20mA)
LCK	LOCK	0000 - NO LOCK 0001 - ALL LOCKED	0000 - NO LOCK

**TORONTO, ONTARIO
CANADA**
PH (416) 675-7329
FX (416) 675-7349

DISTRIBUTOR