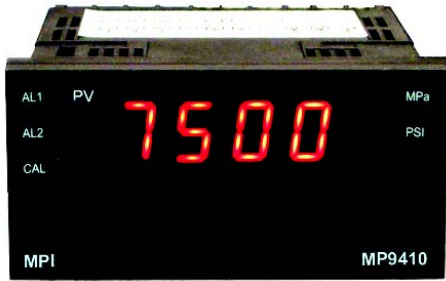
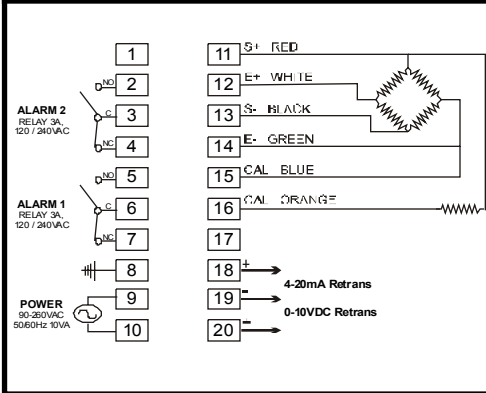


# MP9410 - INDICATOR ALARM - 1/8DIN

# MELT PRESSURE



## TERMINAL CONFIGURATION



## STANDARD

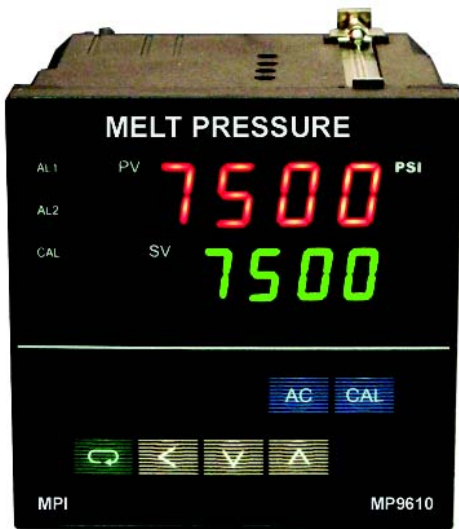
350ohm STRAIN GAGE INPUT  
SCALEABLE RANGE  
2 CONFIGURABLE ALARMS  
HIGH/LOW/OFF  
AUTO / MANUAL CALIBRATION  
MANUAL ZERO  
LOCKOUT  
PROCESS VALUE - RETRANS

## MODEL CODE

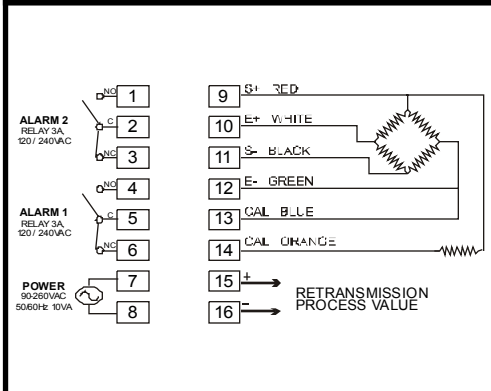
**MP9410-PRR-** RETRANSMISSION of PROCESS VALUE

M	4-20mA
0	0-10mA
1	0-20mA
5	0-5VDC
6	1-5VDC
10	0-10VDC

# MP9610 - INDICATOR ALARM - 1/4DIN



## TERMINAL CONFIGURATION



## STANDARD

350ohm STRAIN GAGE INPUT  
SCALEABLE RANGE  
2 CONFIGURABLE ALARMS  
HIGH/LOW/OFF  
AUTO/MANUAL CALIBRATION  
MANUAL ZERO  
LOCKOUT  
PROCESS VALUE - RETRANS

## MODEL CODE

**MP9610-PRR-** RETRANSMISSION of PROCESS VALUE

M	4-20mA
0	0-10mA
1	0-20mA
5	0-5VDC
6	1-5VDC
10	0-10VDC

# SPECIFICATIONS - MP9410 & MP9610

## 1. INPUT - PRESSURE TRANSDUCER

350ohm STRAIN GAUGE    2.00-4.00mV/V standard 3.30mV/V  
EXCITATION VOLTAGE    10VDC  
ACCURACY    +/-0.5%  
SAMPLE RATE    100mS

## 2. ALARM OUTPUTS

ALARM 1    5A/240VAC resistive NO/NC  
ALARM 2    5A/240VAC resistive NO/NC

## 3. RETRANSMISSION of PROCESS VALUE

CURRENT    4-20mA, 0-20mA, 0-10mA Max load 500 ohm  
VOLTAGE    0-5VDC, 1-5VDC Max 20mA

## 4. POWER

RATING    85 - 265 VAC 50/60Hz    10VA max

## 5. ENVIRONMENTAL

OPERATING TEMP -10 - 50C  
HUMIDITY    90% MAX  
INSULATION    20M ohms minimum @ 500VDC  
WEIGHT    300g

## 6. PHYSICAL DIMENSIONS

MP9410    96mmW x 48mmH x 100mmD  
MP9410 Cutout    91mmW x 45mmH +/-0.5mm  
MP9610    96mmW x 96mmH x 100mmD  
MP9610 Cutout    91mmW x 91mmH +/-0.5mm