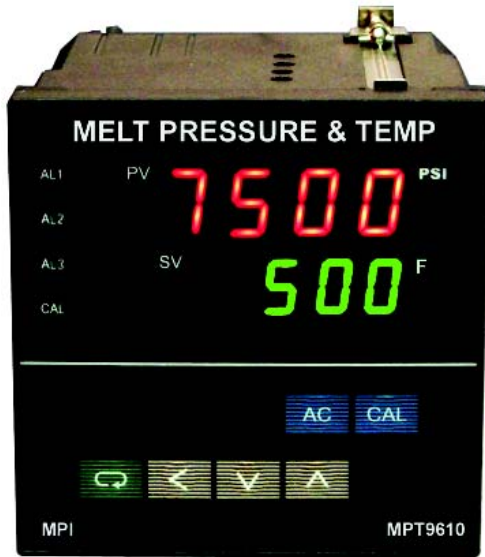


MPT9610 - PRESSURE & TEMP INDICATOR

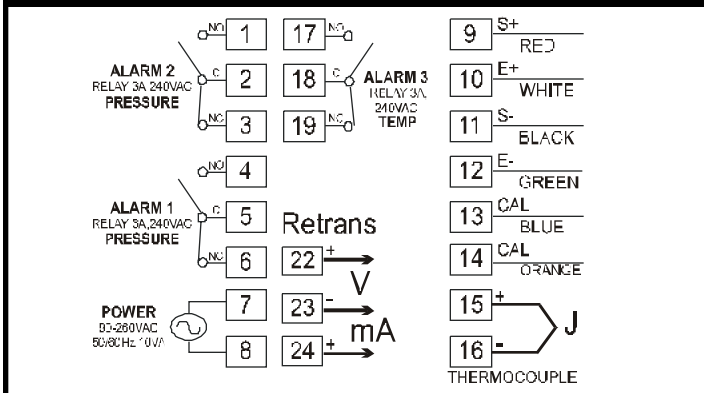


STANDARD

- PRESSURE TRANSDUCER INPUT
- SCALEABLE RANGE
- 3 CONFIGURABLE ALARMS
- HIGH/LOW/OFF TEMP or PRESS
- AUTO or MANUAL CALIBRATION
- MANUAL ZERO
- PROCESS VALUE - RETRANS

- THERMOCOUPLE J INPUT
- LOCKOUT

TERMINAL CONFIGURATION



MODEL CODE

MPT9610-PTRRR - RETRANS of PV - SCALE

RETRANS of PV	SCALE
N	NONE
M	4-20mA
0	0-10mA
1	0-20mA
5	0-5VDC
6	1-5VDC
10	0-10VDC

PRESSURE SCALES
3,000 psi
5,000 psi
7,500 psi
10,000 psi
700 bar
CUSTOM

TEMP SCALES
800 °F T/C-J
400 °C T/C-J
CUSTOM

SPECIFICATIONS - MPT9610

1. INPUTS

PRESSURE TRANSDUCER 350ohm STRAIN GAUGE,
2.00 - 4.00mV/V, standard 3.3mV/V
EXCIT-10VDC

TEMPERATURE THERMOCOUPLE J

ACCURACY +/-0.5%

SAMPLE RATE 100mS

2. ALARM OUTPUTS

ALARM 1 5A/240VAC resistive

ALARM 2 5A/240VAC resistive

ALARM 3 5A/240VAC resistive

3. RETRANSMISSION of PRESSURE VALUE

CURRENT 4-20mA, 0-20mA, 0-10mA Max load 500 ohm

VOLTAGE 0-10VDC, 0-5VDC, 1-5VDC Max 20mA

4. POWER

RATING 85 - 265 VAC 50/60Hz 10VA max

5. ENVIRONMENTAL

OPERAT TEMP -10 - 50C

HUMIDITY 90% MAX

INSULATION 20M ohms minimum @ 500VDC

6. PHYSICAL DIMENSIONS

MPT9610 96mmW x 96mmH x 100mmD

MPT9610 Cutout 91mmW x 91mmH +/-0.5mm

WEIGHT 300g